

**REFRIGERATOR MANUFACTURER**  
**Turbo air**  
 more durable, efficient, beautiful

4184 E. Conant St.  
 Long Beach, CA 90808  
 Tel. 310-900-1000  
 Fax. 310-900-1077  
[www.turboairinc.com](http://www.turboairinc.com)

Project :	
Model # :	
Item # :	Qty :
Available W/H :	
Approval :	

## Glass / Mug Chillers

*Underbar Equipment  
 Super Deluxe Series*

### Model : TBC-36SD/SB-GF



**TBC-36SD-GF**



**TBC-36SB-GF**



### ≡ FEATURES & BENEFITS ≡

- **Equipped with easy-to-clean Air Filter**  
 The accumulation of dust in the condenser causes failures and/or breakdowns in refrigeration. Refrigeration operate normally until they accumulate a certain amount of dust. When they reach over their limit, performance will drop rapidly, resulting in damages and possible disposal of stored goods. This is why all refrigeration manufacturers require the condenser to be cleaned at least once a month for warranty to remain valid. Fortunately for Turbo Air, this process is simplified due to the frontal access air filter device. Users only need to pull out the filter and vacuum lightly to remove the dust. Simply place it back into position when complete.
- **Efficient refrigeration system**  
 Turbo Air's refrigerators are designed with oversized and balanced R-134A or R-404A (CFC Free) refrigeration systems. These include efficient evaporators and condensers for faster cooling and greater efficiency.
- **Stainless steel cabinet construction**  
 Super Deluxe (SD) models boast a stainless steel exterior (except galvanized steel back and bottom). SB models are attractive wear-resistant black vinyl exterior. Heavy gauge stainless steel countertop and glide lids are perfect for sanitation and durability. Interior is stainless steel except galvanized steel top. Turbo Air glass chiller model guarantees utmost in cleanliness and long product life. It also can add a touch of style to the most refined setting.
- **High-density polyurethane insulation**  
 The entire cabinet structure is foamed-in-place using high density, CFC free polyurethane insulation.
- **Forced air cooling system**  
 Positive guided forced air cooling system chills dry glasses & plates fast throughout the cabinet.
- **Heavy duty, PE(Polyethylene) coated shelves**  
 Heavy duty 10mm thick pure grade PE coated adjustable shelves are provided for maximum storage use.
- **Huge capacity cooler cabinet requires only minimum floor space**
- **Bottom mount compressor unit**
- **Glass / mug chiller holds 5°F ~ -5°F for the best in chilling glasses and plates**



Model	Sliding Door	CU./FT.	Capacity 8" Mug / 10oz Stein	# of Shelves	HP	AMPS	Crated Weight (lbs.)	L x D <sup>*</sup> x H <sup>†</sup> (inches)
<b>TBC-36SD-GF</b>	<b>1</b>	<b>8</b>	<b>93 / 227 Cups</b>	<b>5</b>	<b>1/4</b>	<b>4.0</b>	<b>230</b>	<b>363/4 x 261/2 x 331/4</b>
<b>TBC-36SB-GF</b>	<b>1</b>	<b>8</b>	<b>93 / 227 Cups</b>	<b>5</b>	<b>1/4</b>	<b>4.0</b>	<b>230</b>	<b>363/4 x 261/2 x 331/4</b>

## Model : TBC-36SD/SB-GF

ELECTRICAL DATA	
Voltage	115/60/1
Plug Type	Ⓜ NEMA 5-15P
Full Load Amperes	4.0
Compressor HP	1/4
Refrigerant	R-134A
Cord Length (ft.)	8.5
DIMENSIONAL DATA	
Capacity (8" Mug / 10oz Stein)	93 Cups / 227 Cups
Net Capacity (cu. ft.)	8
Ext. Length Overall (in.)	36 <sup>3</sup> / <sub>4</sub> (933mm)
Ext. Depth Overall (in.)*	26 <sup>1</sup> / <sub>2</sub> (673mm)
Ext. Height Overall (in.)†	33 <sup>1</sup> / <sub>4</sub> (845mm)
Net Weight (lbs.)	200
Gross Weight (lbs.)	230
# of Shelves	5

Design and specifications subject to change without notice.

Actual shipping weight may differ due to extra packing materials for product protection.

\* Depth does not include 2" for cap catcher or 2" for rear spacers.

† Height does not include 5" for caster height.

■ **WARRANTY :** 3 Year Parts and Labor Warranty  
Additional 2 Year Warranty on Compressor

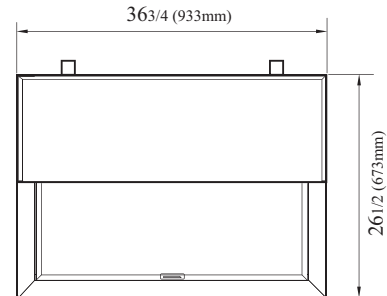
- Self-contained system
- 4" dia. swivel casters standard
- 2" dia. casters available (optional)
- 6" height adjustable legs available (optional)

■ **OPTIONAL ACCESSORIES :**

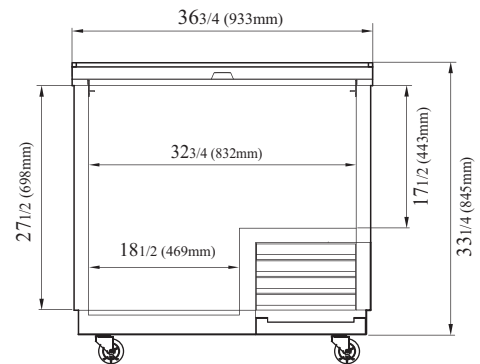
- 2" caster for underbar series, 1/2" diameter: P0165B0100 (non-brake), P0165B0110 (w/ brake)
- 6" adjustable stainless steel leg: P012P0100

## PLAN VIEW

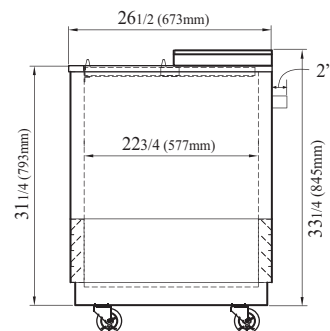
(unit : inch)



PLAN VIEW



FRONT VIEW



SIDE VIEW

Ver.201601



- Turbo Air : 800-627-0032
- GK : 800-500-3519
- Warranty : 800-381-7770
- AC : 888-900-1002