



Item # \_\_\_\_\_

Job \_\_\_\_\_



# Metro C5 1 Series Non-Insulated Heated Holding and Proofing Cabinets

- **Control:** Three holding modules are available. All feature an easy-to-read digital thermometer, recessed control dials, a master on/off switch, and power indicator lights.
  - **Combination Module:** At the flip of a switch change from heated holding mode to proofing mode. Individual analog controls for temperature and humidity levels.
  - **Holding Module:** For heated holding applications. Analog temperature control and a passive humidity generation system.
  - **Proofing Module:** For proofing applications only. Individual analog controls for temperature and humidity levels.
- **Performance:** All modules provide fast heat-up and recovery through a thermostatically controlled, forced air heating system.
- **Sizes:** C5 1 Series cabinets are available in Full Height (69<sup>3</sup>/<sub>4</sub>" , 1772mm), <sup>3</sup>/<sub>4</sub> Height (57<sup>3</sup>/<sub>4</sub>" , 1467mm), and <sup>1</sup>/<sub>2</sub> Height (42<sup>3</sup>/<sub>4</sub>" , 1086mm) sizes.
- **Doors:** Clear polycarbonate doors provide visibility of the contents of the cabinet without the heat loss associated with opening the door.
- **Capacity:** Three slide styles provide maximum holding capacity.
  - **Universal:** Adjustable wire slides, with SiteSelect™, hold 18"x26" sheet, 12"x20" steam table, 2/1 or 1/1 GN pans, and adjust on 1<sup>1</sup>/<sub>2</sub>" (38mm) increments.
  - **Lip Load:** Fixed aluminum extrusions hold 18"x26" sheet pans on 1<sup>1</sup>/<sub>2</sub>" (38mm) increments.
  - **Fixed Wire:** Fixed slides hold 18"x26" sheet, 12"x20" steam table, 2/1 GN, or 1/1 GN pans on 3" (76mm) increments.
- **Removable Module:** All modules are removable, without tools, for easy cleaning of the cabinet interior. Future module upgrades or changes can occur without cabinet body replacement.
- **Reliability:** Reliability and durability are designed into every C5. High quality components provide a long life of worry-free use.

### Options/Accessories\*

- Small Item Shelf (C5-SHELF)
- Stainless Steel Legs (C5-SSLEGS)
- Universal Slide Pair (C5-USLIDECPR)
- 6" Casters (C5-6CASTER)
- Rear Rigid Casters (C5-5RDGCSTR)
- Travel Latch (C5-TRVL)
- Right Angle Plug (C5-RTANGPLG)
- Rear Push Handle (C5-RHANDLE)
- Perimeter Bumper (C5-PERMBUMP-1)
- Left-Hand Hinging (DD3768)

\*Specify as a line item with an "A" added to the end of the cabinet part number.

### Power Options

- Export 240/220 Modules with Centigrade Thermometer Display



Full Height



<sup>3</sup>/<sub>4</sub> Height



<sup>1</sup>/<sub>2</sub> Height

C5 1 Series Non-Insulated Heated Holding and Proofing Cabinets

13-91

\*Patents Pending



**InterMetro Industries Corporation**  
 North Washington Street  
 Wilkes-Barre, PA 18705  
 www.metro.com





## C5 1 Series Non-Insulated Heated Holding and Proofing Cabinets

### Specifications

- **Cabinet Material:** .063" (1.8mm) aluminum, natural interior, brushed exterior with .125" (3.2mm) aluminum chassis.
- **Casters:** Four casters with 5" (127mm) donut neoprene wheel, double ball bearing swivel, ball bearing axel, nickel plated, two with brake.
- **Clear Doors:** Extruded aluminum powder coated frame with .090" (2.3mm) polycarbonate window.
- **Hinges:** Field reversible, double hinged, 180° swing, with long-life nylon bearings.
- **Gaskets:** High temperature, door mounted, Santoprene gaskets.
- **Latches:** Polymer, high-strength, magnetic pull latch with lever-action release.
- **Universal Slides:** 1/4" (6.4mm) dia. nickel-chrome electroplated wire, adjustable on 1 1/2" (38mm) increments.
- **Lip Load Slides:** 1 1/2"x1 1/2"x.063" (38x38x1.8mm) extruded aluminum channel slides, 1 1/2" (38mm) fixed spacing.
- **Fixed Wire Slides:** 1/4" (6.4mm) dia. nickel-chrome electroplated wire, welded on 3" (76mm) spacing.
- **Slide Capacities:**

| Cabinet Size | Universal Slides        |       |                |    | Lip Load Slide<br>Pan Capacity<br>18"x26" | Fixed Wire Slides<br>Pan Capacity<br>18"x26" 12"x20"x2 1/2" |                |
|--------------|-------------------------|-------|----------------|----|---|---|----------------|
|              | Slide Pairs<br>Provided | Max.* | Pan Capacity** |    |   | 18"x26"   | 12"x20"x2 1/2" |
| Full Height  | 18                      | 37    | 18             | 34 | 35  | 18  | 34             |
| 3/4 Height   | 14                      | 29    | 13             | 26 | 27  | 14  | 26             |
| 1/2 Height   | 8                       | 17    | 8              | 16 | 17  | 8   | 16             |

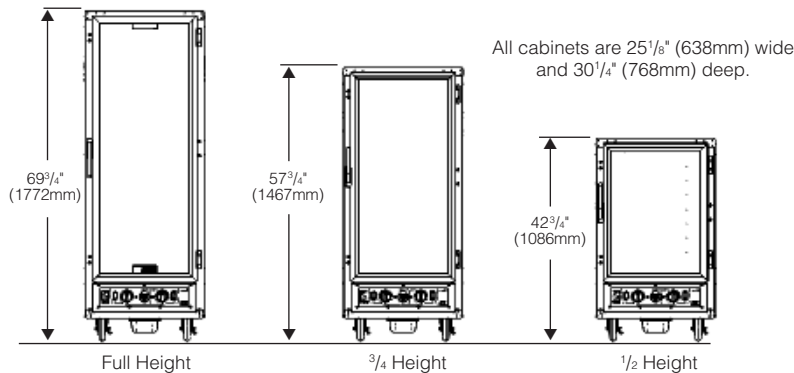
\*Maximum number of slide pairs @ 1 1/2" spacing. Additional slide pairs ordered separately.  
\*\*Capacity based on standard number of slide pairs provided.

- **Drip Trough:** Smooth polymer drip trough with catch pan.
- **Holding Modules:** Removable without tools, digital thermometer, recessed control dials, master on/off switch, "Power On" light, water pan, ball bearing blower forced air system, 7 1/2' cord, UL, CUL, and NSF Listed.

### Electrical and Performance:

- **Combination Module:** 2000 Watt, 120 Volts, 60 Hz., single phase, 16.7 Amps. 80°F to 190°F operating temperature range. 95% RH at 95°F. NEMA 5-20P plug.
- **Holding Module:** 2000 Watt, 120 Volts, 60 Hz., single phase, 16.7 Amps. 80°F to 190°F operating temperature range. NEMA 5-20P plug.
- **Proofing Module:** 1440 Watt, 120 Volts, 60 Hz., single phase, 12 Amps. 80°F to 120°F operating temperature range. 95% RH at 95°F. NEMA 5-15P plug.

### Dimensions



All Metro Catalog Sheets are available on our Web Site: [www.metro.com](http://www.metro.com)

### Part Numbers

| FULL HEIGHT CABINETS |          |                   |                |
|----------------------|----------|-------------------|----------------|
| Part #               | Module   | Doors             | Slides         |
| C519-CFC-4           | Combo    | Full-Length Clear | Fixed Wire     |
| C519-CFC-U           | Combo    | Full-Length Clear | Universal Wire |
| C519-CFC-L           | Combo    | Full-Length Clear | Lip Load       |
| C519-HFC-4           | Holding  | Full-Length Clear | Fixed Wire     |
| C519-HFC-U           | Holding  | Full-Length Clear | Universal Wire |
| C519-HFC-L           | Holding  | Full-Length Clear | Lip Load       |
| C519-PFC-4           | Proofing | Full-Length Clear | Fixed Wire     |
| C519-PFC-U           | Proofing | Full-Length Clear | Universal Wire |
| C519-PFC-L           | Proofing | Full-Length Clear | Lip Load       |
| 3/4 HEIGHT CABINETS  |          |                   |                |
| Part #               | Module   | Doors             | Slides         |
| C517-CFC-4           | Combo    | Full-Length Clear | Fixed Wire     |
| C517-CFC-U           | Combo    | Full-Length Clear | Universal Wire |
| C517-CFC-L           | Combo    | Full-Length Clear | Lip Load       |
| C517-HFC-4           | Holding  | Full-Length Clear | Fixed Wire     |
| C517-HFC-U           | Holding  | Full-Length Clear | Universal Wire |
| C517-HFC-L           | Holding  | Full-Length Clear | Lip Load       |
| C517-PFC-4           | Proofing | Full-Length Clear | Fixed Wire     |
| C517-PFC-U           | Proofing | Full-Length Clear | Universal Wire |
| C517-PFC-L           | Proofing | Full-Length Clear | Lip Load       |
| 1/2 HEIGHT CABINETS  |          |                   |                |
| Part #               | Module   | Doors             | Slides         |
| C515-CFC-4           | Combo    | Full-Length Clear | Fixed Wire     |
| C515-CFC-U           | Combo    | Full-Length Clear | Universal Wire |
| C515-CFC-L           | Combo    | Full-Length Clear | Lip Load       |
| C515-HFC-4           | Holding  | Full-Length Clear | Fixed Wire     |
| C515-HFC-U           | Holding  | Full-Length Clear | Universal Wire |
| C515-HFC-L           | Holding  | Full-Length Clear | Lip Load       |
| C515-PFC-4           | Proofing | Full-Length Clear | Fixed Wire     |
| C515-PFC-U           | Proofing | Full-Length Clear | Universal Wire |
| C515-PFC-L           | Proofing | Full-Length Clear | Lip Load       |

Add X for 240/220v, 50/60 Hz., single phase for Export.  
Ex: C519-CXFC-4



**Metro Heated cabinets are for hot food holding applications only.**



### InterMetro Industries Corporation

North Washington Street, Wilkes-Barre, PA 18705  
Phone: 570-825-2741 • Fax: 570-825-2852

For Product Information Call: 1-800-433-2232

L03-269

Printed in U.S.A. 10/07

Information and specifications are subject to change without notice. Please confirm at time of order.

Copyright © 2007 InterMetro Industries Corp.