



FOOD EQUIPMENT

SERVING THE FOOD INDUSTRY SINCE 1951

CONVEYOR OVEN WITH 14" CONVEYOR BELT

Item: 11387

Model: CE-TW-0356

Designed to provide consistent heat with infrared heaters. Equipped with a variable speed control and adjustable top and bottom heat controls. Body is made of attractive stainless steel. Excellent for bread, bagels and pizzas. Ideal for large kitchens, diners, and cafes.



**LIMITED
WARRANTY**
PARTS AND LABOR



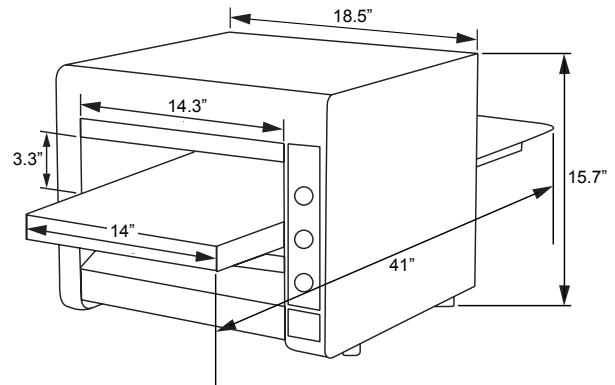
Authorized Dealer

FOOD EQUIPMENT

CONVEYOR OVEN WITH 14" CONVEYOR BELT



TECHNICAL SPECIFICATIONS	
ITEM NUMBER	11387
MODEL	CE-TW-0356
AMPS	15 Amps
POWER	3.6 kW
BELT WIDTH	14" / 355 mm
OPENING (H x W)	3.3" x 14.3" / 83 x 363 mm
CAPACITY	Sixteen - 14" pizzas /hour or Nineteen - 12" pizzas /hour or Twenty-five - 9" pizzas /hour
ELECTRICAL	240V /60 Hz/1
TEMPERATURE RANGE	70 - 260°C / 158 - 500°F
DIMENSION (DWH)	41" x 18.5" x 15.7" / 1050 x 470 x 400 mm
WEIGHT	53 lbs./ 24 kg.
GROSS WEIGHT	61 lbs./ 27.7 kg.
GROSS DIMENSIONS	36.5" x 26" x 19" / 927 x 660 x 482.6 mm

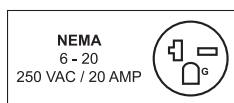


RECOMMENDED COOKING TIMES

Product	Top heat	Bottom heat	Belt speed
12" Pizza (Blanched)	300°F/149°C	400°F/204.4°C	6 mins.
Meat & cheese sandwich	450°F/232°C	300°F/149°C	4 mins.
Meatball	500°F/260°C	350°F/177°C	2 mins.
Bagel (Open)	500°F/260°C	400°F/204.4°C	2 mins.
1 oz cookies	200°F/93°C	250°F/121°C	10 mins.
Garlic Bread (Lightly seasoned)	500°F/260°C	500°F/260°C	2 mins.
Fish (Sizzle platter)	400°F/204.4°C	500°F/260°C	6 mins.

TEMPERATURE SETTING AND TIME

Setting	Temperature (Top and bottom heat)	Time (minutes' seconds")
Dial 1	70-90°C / 158-194°F	1'20"
Dial 2	90-110°C / 194-230°F	1'45"
Dial 3	130-140°C / 266-284°F	3'30"
Dial 4	140-155°C / 284-311°F	4'20"
Dial 5	155-180°C / 311-356°F	5'05"
Dial 6	185-205°C / 365-401°F	5'45"
Dial 7	205-220°C / 401-428°F	6'35"
Dial 8	240-260°C / 464-500°F	7'45"
Dial 9	250-260°C / 482-500°F	8'50"
Dial 10	250-260°C / 482-500°F	10'05"



OMCAN INC.

Telephone: 1-800-465-0234
 Fax: (905) 607-0234
 Email: sales@omcan.com
 Website: www.omcan.com



Follow us to keep up to date with the latest news and offers



FOOD EQUIPMENT

CONVEYOR OVEN WITH 14" CONVEYOR BELT



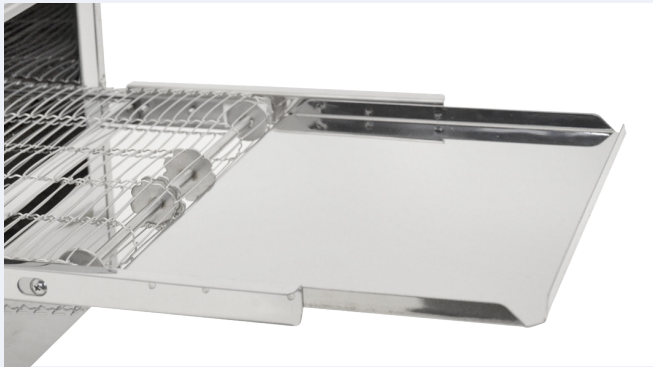
DETAIL IMAGES



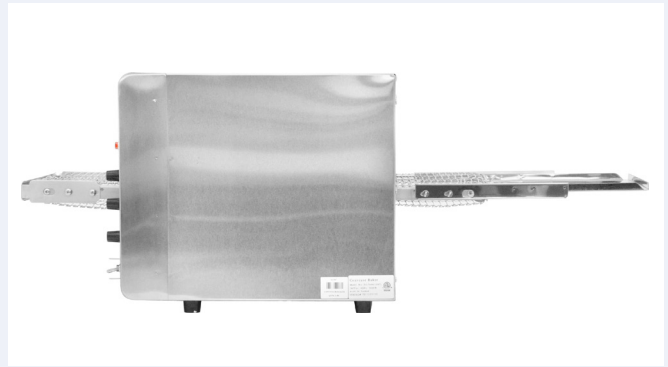
Stainless steel body with 18.5" width



Stainless steel conveyor oven belt



Detachable tray



41" Belt length (with detachable tray)



Removable drip pan



On/Off control

OMCAN INC.

Telephone: 1-800-465-0234
Fax: (905) 607-0234
Email: sales@omcan.com
Website: www.omcan.com



Follow us to keep up to date with the latest news and offers



2015.E.O.E