



Model: \_\_\_\_\_ Item #: \_\_\_\_\_ Date: \_\_\_\_\_  
 Project: \_\_\_\_\_ Qty: \_\_\_\_\_ Approved By: \_\_\_\_\_

# Heavy Cast Drains

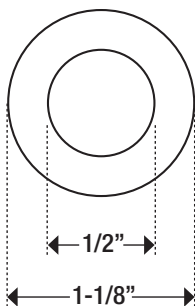
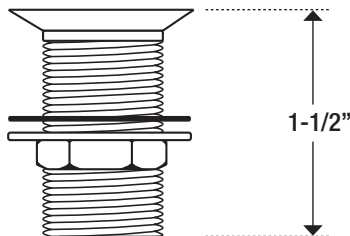
# DRAINS

## Model 23-110 1/2" Nickel Plated Brass Drain



### Specifications

- 1/2" NPS male thread
- 1-1/4" flange size
- 1-1/2" long
- Fits 15/16" opening
- Locknut and washer included

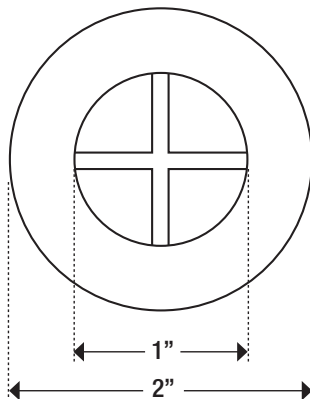
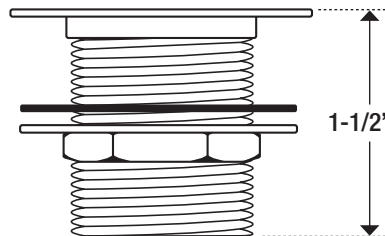


## Model 23-111 1" Nickel Plated Brass Drain



### Specifications

- 1" NPS male thread
- 2" flange size
- 1-1/2" long
- Fits 1-3/8" opening
- Locknut and washer included



## Model 23-120 New Style Krowne Drain (1997 to 2016)



### Specifications

- For 1-1/4" sink opening and all ice bins without cold plate
- Tapered Top
- 1" NPT male thread
- Locknut and washer included
- Uses 23-155 Overflow pipe

