



REFRIGERATION

SERVING THE FOOD INDUSTRY SINCE 1951

60-INCH SQUARE GLASS FLOOR REFRIGERATED DISPLAY CASE

Item: 44384

Model: RS-CN-0471-S



OMCAN'S SQUARE GLASS FLOOR REFRIGERATED DISPLAY CASE

provides an economical solution for displaying your products. Features an interior lighting under each shelves as well as digital temperature controller for easy usage.



Authorized Dealer

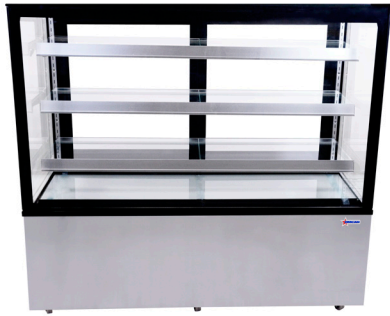


WARRANTY
PARTS AND LABOR



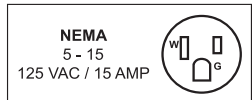
REFRIGERATION

60-INCH SQUARE GLASS FLOOR REFRIGERATED DISPLAY CASE



FEATURES

- Brilliant LED illumination under each shelves
- Digital temperature controller & display
- Adjustable chrome plated shelves
- Four-sided double glass
- Automatic defrost
- Ventilated cooling system
- Stainless steel base

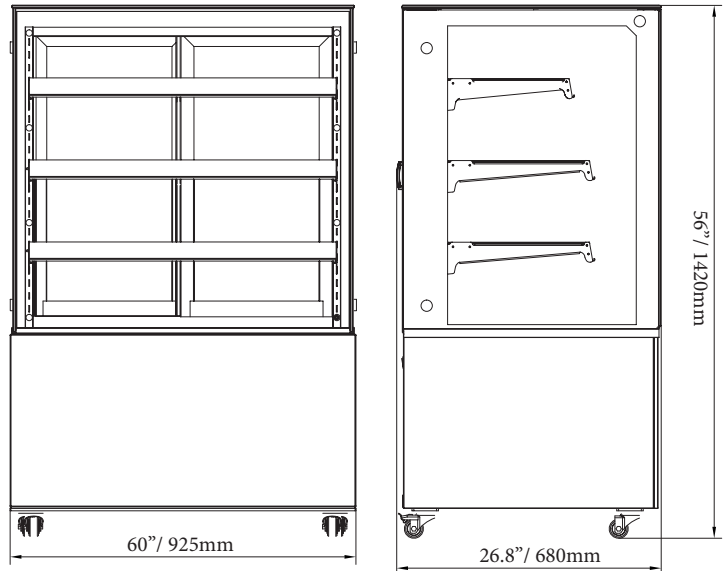


TECHNICAL SPECIFICATION

ITEM NUMBER	44384
MODEL	RS-CN-0471-S
POWER	540W
COMPRESSOR POWER	3/8 HP / 510 W
CAPACITY	670 L / 23.66 cu. ft.
LAMP POWER	50W
TEMPERATURE RANGE	0-12°C / 32-54°F
REFRIGERANT	R290
BLOWING GAS	Front
TYPE OF CLIMATE	4
RATED CURRENT	6.5A
SHELF SIZE	60.4" x 12" / 1535 x 311mm 60.4" x 14" / 1535 x 361mm
NET DIMENSIONS	60" x 26.8" x 56" / 1525 x 680 x 1420mm
GROSS DIMENSIONS	66.5" x 32.7" x 63" / 1690 x 830 x 1610mm
NET WEIGHT	229kgs / 505lbs
GROSS WEIGHT	252kgs / 556lbs



Digital temperature controller & display



Item is shipped on pallet.

OMCAN INC.

Telephone: 1-800-465-0234
 Fax: (905) 607-0234
 Email: sales@omcan.com
 Website: www.omcan.com



Follow us to keep up to date with the latest news and offers

