



REFRIGERATION

SERVING THE FOOD INDUSTRY SINCE 1951

72-INCH SQUARE GLASS FLOOR REFRIGERATED DISPLAY CASE

Item: 44505

Model: RS-CN-0571-S



OMCAN'S SQUARE GLASS FLOOR REFRIGERATED DISPLAY CASE

provides an economical solution for displaying your products. Features an interior lighting under each shelves as well as digital temperature controller for easy usage.



Authorized Dealer

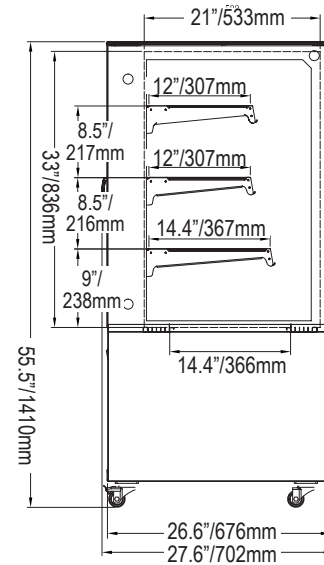
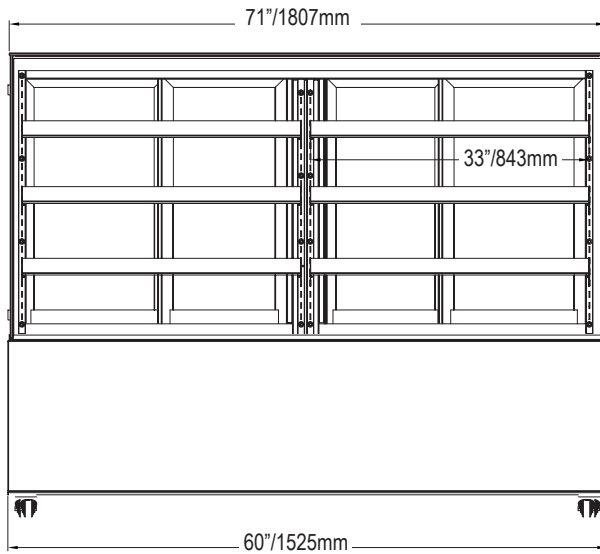


WARRANTY
PARTS AND LABOR



REFRIGERATION

72-INCH SQUARE GLASS FLOOR REFRIGERATED DISPLAY CASE



TECHNICAL SPECIFICATION

ITEM NUMBER	44505
MODEL	RS-CN-0571-S
POWER	630W
COMPRESSOR POWER	3/8 HP / 510 W
CAPACITY	810 L / 28.61 cu. ft.
LAMP POWER	60W
TEMPERATURE RANGE	0-12°C / 32-54°F
REFRIGERANT	R290
BLOWING GAS	Front
TYPE OF CLIMATE	4
RATED CURRENT	6.8A
SHELF SIZE	37" x 12" / 942 x 311mm 37" x 14" / 942 x 361mm
NET DIMENSIONS	71.8" x 26.8" x 56" / 1825 x 680 x 1420mm
GROSS DIMENSIONS	78.3" x 32.7" x 63" / 1990 x 830 x 1610mm
NET WEIGHT	250kgs/ 551lbs
GROSS WEIGHT	290kgs/ 639lbs

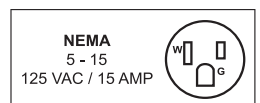
Item is shipped on pallet.



Digital temperature controller & display

FEATURES

- Brilliant LED illumination under each shelves
- Digital temperature controller & display
- Adjustable chrome plated shelves
- Four-sided double glass
- Automatic defrost
- Ventilated cooling system
- Stainless steel base



OMCAN INC.

Telephone: 1-800-465-0234
 Fax: (905) 607-0234
 Email: sales@omcan.com
 Website: www.omcan.com



Follow us to keep up to date with the latest news and offers



2018E&OE