



FOOD EQUIPMENT

SERVING THE FOOD INDUSTRY SINCE 1951

58-INCH STAINLESS STEEL ELECTRIC HOT FOOD TABLE WITH 4 PANS CAPACITY, CUTTING BOARD AND UNDERSHELF

Item: 46647 Model: FW-CN-0004-DH

**KEEP YOUR HOT FOODS
READILY AVAILABLE AT
SAFE TEMPERATURE**

Perfect for buffet and catering services, Omcan's 58-inch Stainless Steel Electric Hot Food Table with Cutting Board and Undershelf is designed to keep your hot foods readily available at safe temperature. With a durable stainless steel construction, this food warmer has a convenient undershelf where you could store extra serving utensils, food pans, or any other kitchen tools that you need, as well as a polycarbonate cutting board as an extra work space in case you need to fill out food pans or plates.



Pans not included.



Authorized Dealer

TECHNICAL SPECIFICATIONS

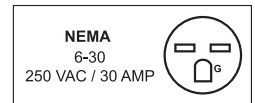
ITEM NUMBER	46647
MODEL	FW-CN-0005-DH
MAX. TEMPERATURE	Approximately 212°F / 100°C
POWER	3000W 4000W
ELECTRICAL	208V 240V / 60Hz / 1Ph
AMPS	14.42 16.66
MATERIAL	Stainless Steel
CUTTING BOARD MATERIAL	Polyethylene
NUMBER OF PANS	4 (Pans not included)
PAN SIZE	20.78" x 12.8" x 6" (full size)
UNDERSHELF SIZE	56" x 18" x 2" 1414 x 462 x 50 mm
CUTTING BOARD SIZE	58" x 7.9" x 0.5" 1475 x 200 x 12 mm
DIMENSIONS (WDH)	58" x 30" x 34" 1475 x 772 x 870 mm
GROSS DIMENSIONS	61" x 25" x 20" 1560 x 640 x 520 mm
WEIGHT	58kg. 128lbs.
GROSS WEIGHT	75kg. 165lbs.

FEATURES

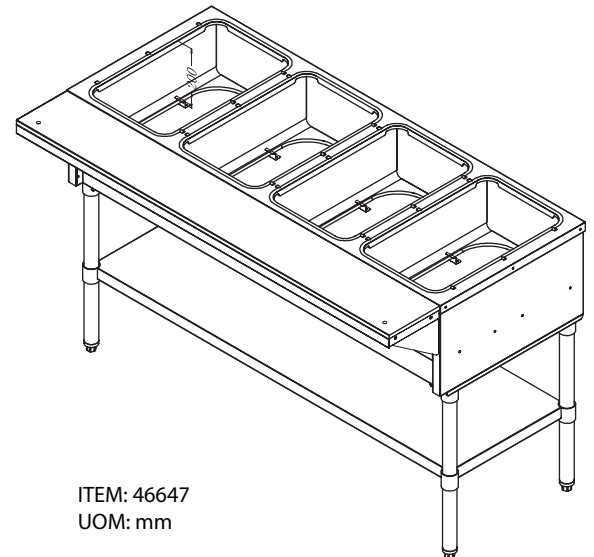
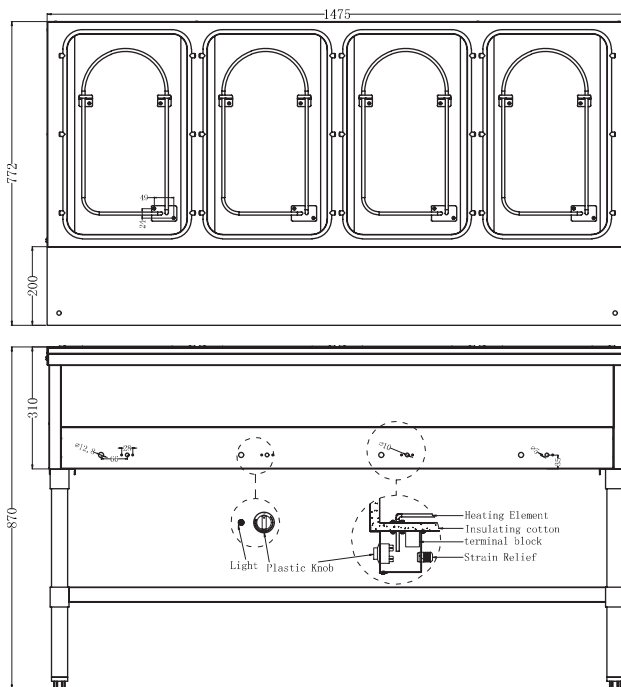
- Stainless steel structure with individual control
- Adjustable stainless steel undershelf and removable Polyethylene cutting board
- Adjustable stainless steel feet
- Stainless steel heating element
- 4 independent infinite controls
- Pans not included

OPTIONAL ACCESSORIES

- Full Size Pan (Item 80259)
- Spillage Pan (Item 80907)



TECHNICAL DRAWINGS AND DIMENSIONS



OMCAN INC.

Telephone: 1-800-465-0234
 Fax: (905) 607-0234
 Email: sales@omcan.com
 Website: www.omcan.com



Follow us to keep up to date with the latest news and offers

