

Bottle Coolers

DEEP WELL



Black vinyl is the preferred finish for Bar Equipment as its more durable and doesn't chip versus a painted finish. Asber's Bar Refrigerators come with a chip resistant black vinyl exterior finish front, sides and back. Interior walls with NSF approved white coated steel finish to enhance its merchantability, easy to clean with a sturdy stainless-steel floor. Always one step above to ensure the upmost in safety and sanitation for your establishment.

Insulation in any Refrigerator is one of the most important factors for thermal efficiency. Asber only uses the **world's leader Ecomate (GWP) (ODP) insulation, 2" thick** for the highest R value efficiency for your environments.

With innovative and eco-friendly technology, Asber utilizes **R-290 Hydrocarbon** designed to meet DOE's Energy Conservation standards with very low contribution to global warming (ODP-0) (GWP-3).

Additional features to include:

- Hermetic compressors with epoxy coated evaporator.
- Automatic evaporator: Paper fins not utilized in the evaporation process.
- Electronic controller.
- Temperature: Refrigerators 32°F to 38°F based on an external environment of 90°F and 65% RH.
- Bottle cap opener and catcher.
- Door locks with universal key.



ADBC-50



ADBC-94

OPTIONS & ACCESORIES

- Additional 2nd year warranty.
- 2.5" castors - Set of 4, front 2 with brakes.
- Additional bin dividers.
- Voltage: 220V. - 1 - 50Hz.
- 6" adjustable stainless-steel legs.



MODEL	DOORS	DIVIDERS	CAPACITY		AMPS	HP	VOLTS	DIMENSIONS			SHIPPING WEIGHT (lbs)
			(12 oz. can)	(12 oz. bottles)				Width	Depth	Height ¹	
ADBC-50	2	3	510	280	2.0	1/4	115/60	50 1/2"	26 1/2"	33 3/8"	236
ADBC-65	2	4	690	370	2.0	1/4	115/60	65 1/2"	26 1/2"	33 3/8"	275
ADBC-80	3	7	850	470	2.0	1/4	115/60	80"	26 1/2"	33 3/8"	315
ADBC-94	3	7	1050	575	2.0	1/4	115/60	95 1/2"	26 1/2"	33 3/8"	355

¹. Specifications are subject to change without prior notice.

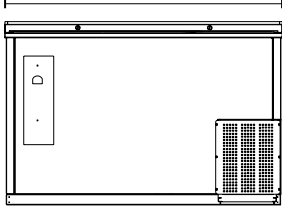
Bottle Coolers

DEEP WELL



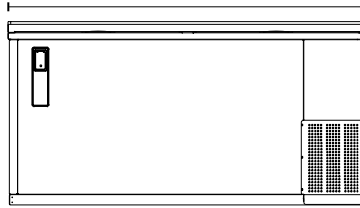
ADBC-50 FRONT

50 1/2"



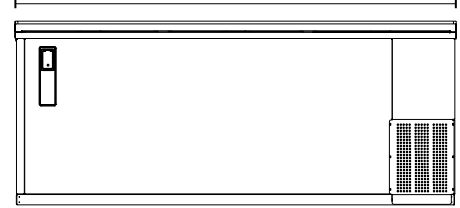
ADBC-65 FRONT

65 1/2"



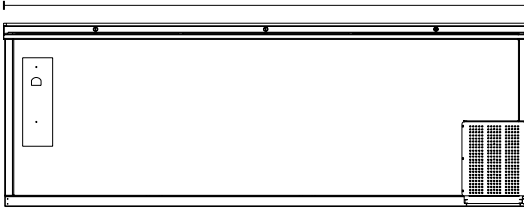
ADBC-80 FRONT

80"



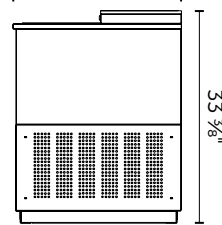
ADBC-94 FRONT

95 1/2"



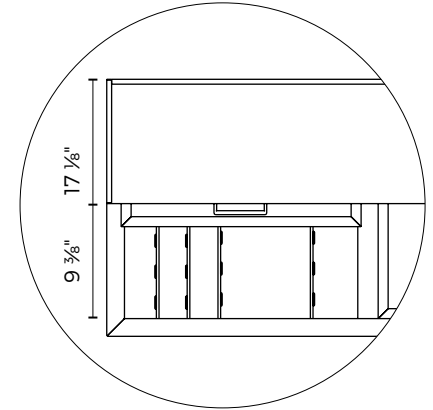
COMMON SIDE VIEW

26 1/2"



33 3/8"

COMMON TOP VIEW



17 1/8"

9 3/8"

ELECTRICAL DATA	50"	65"	80"	94"
Voltage	115/60			
Plug Type	Nema 5-15P			
Full Amp. Loads	2.0			
Compressor HP	1/4			
Cord Length (ft)	10			
Refrigerant	R-290			
DIMENSIONAL DATA				
# of Doors	2		3	
Capacity (12 oz. can)	510	690	850	1050
Capacity (12 oz. bottles)	280	370	470	575
Ext. Width Overall	50 1/2"	65 1/2"	80"	95 1/2"
Ext. Depth Overall	26 1/2"			
Ext. Height Overall	33 3/8"			
# of Bin Dividers	3	4	7	
Shelf Size (L x D)	23" x 20 3/4"			
Shipping Weight (lbs.)	236	275	315	355

Standard Features

- 2" Ecomate CFC Free foam in place insulation.
- Electronic controller with digital display.
- Bottle cap opener and catcher.
- Self-contained Refrigeration with epoxy coated evaporator.
- Door locks with universal key.

Options & Accesories Warranty

- Additional 2nd year warranty.
- 2.5" castors - Set of 4, front 2 with brakes.
- Additional bin dividers.
- Voltage: 220V. - 1 - 50 hz.
- 6" adjustable stainless-steel legs.

- 1-year parts & labor.
- 5-year compressor.

*RESIDENTIAL APPLICATIONS: Asber assumes no liability for parts or labor coverage for component failure, factory defect or any other damages for units installed in non-commercial foodservice or residential applications.