



BEZZERA

MACCHINE PER CAFFÈ ESPRESSO DAL 1901

COFFEE GRINDERS

MADE IN ITALY



BB005NR0IL2

- Heavy duty 304 Stainless Steel Construction
- Semi-Professional use
- Micrometrical grinding setting
- Dosage by on/off switch



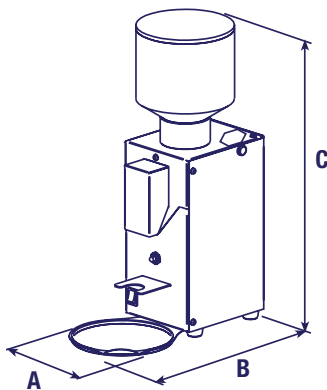
BB020ATOIL2 AUTOMATIC

- Heavy duty 304 Stainless Steel Construction
- Professional use
- Automatically grinds coffee to refill fixed doser chute
- Dispenser adjustable from 5 to 9 grams per dose
- Removable coffee beans hooper



BB020TM0IL2 ON DEMAND

- Heavy duty 304 Stainless Steel Construction
- Professional use
- On demand instant dosing grinder
- Allows the setting of 2 doses, single or double, through adjustment of the grinding time
- Dispenser adjustable from 5 to 9 grams per dose
- Grinder coffee spout
- Adjustable filter holder support



BB005NR0IL2

SPECIFICATIONS

	BB005	BB020
Voltage	110V /60 Hz	110V /60 Hz
Power	100 W	300 W
RPM	900	1400
Conic Grindstones	Ø 1.9"	Ø 2.5"
Hopper	220 gr (0.5 lbs)	1 kg (2.2 lbs)
Grinding	8.8 lbs / h	16.5 lbs / h
Product Dimensions	5.1" (A) x 10.2" (B) x 15.7" (C)	8.6" (A) x 15.7" (B) x 18.5" (C)
Net Weight	8.8 lbs	26.4 lbs
Gross Weight	12 lbs	30.8 lbs