



**DUKERS**  
Quality Commercial Refrigeration



## REACH IN FREEZER

D55AF

Top Mounted / 2-Solid Door



### **i** TECHNICAL SPECIFICATIONS

Voltage/Frequency 115V/60Hz  
Refrigerant R290  
Type of Defrost Automatic  
Interior Material Stainless Steel  
Exterior Material Stainless Steel  
Temperature Range °F 0 ~ -8°F  
Compressor Power (HP) 1 1/3  
Nema Config. NEMA5-15P



### PRODUCT FEATURES



The compressor is mounted in the top and placed in the coolest possible area; this makes it easily accessible for servicing.



Digital temperature controls with LED display for precise adjustment and automatic defrosting system.



Temperatures in the cabinet range from 0 to -8 degrees Fahrenheit



Self closing doors with stay open feature.



R290 Natural Refrigerant promotes faster cool down and efficient energy consumption.



Epoxy coated wire shelves.



Stainless steel interior & exterior, sealed interior floors, and rounded cabinet corners for easy cleaning.



High quality coated stainless adjustable shelves prevent peel and rust.



Lifetime warranty on hinges.



Adjustable front locking casters.



**HIGH QUALITY  
STAINLESS STEEL &  
ROBUST DESIGN**



**DUKERS**

Los Angeles | San Francisco | Dallas  
Houston | Florida | Chicago | New Jersey

1-800-931-8628

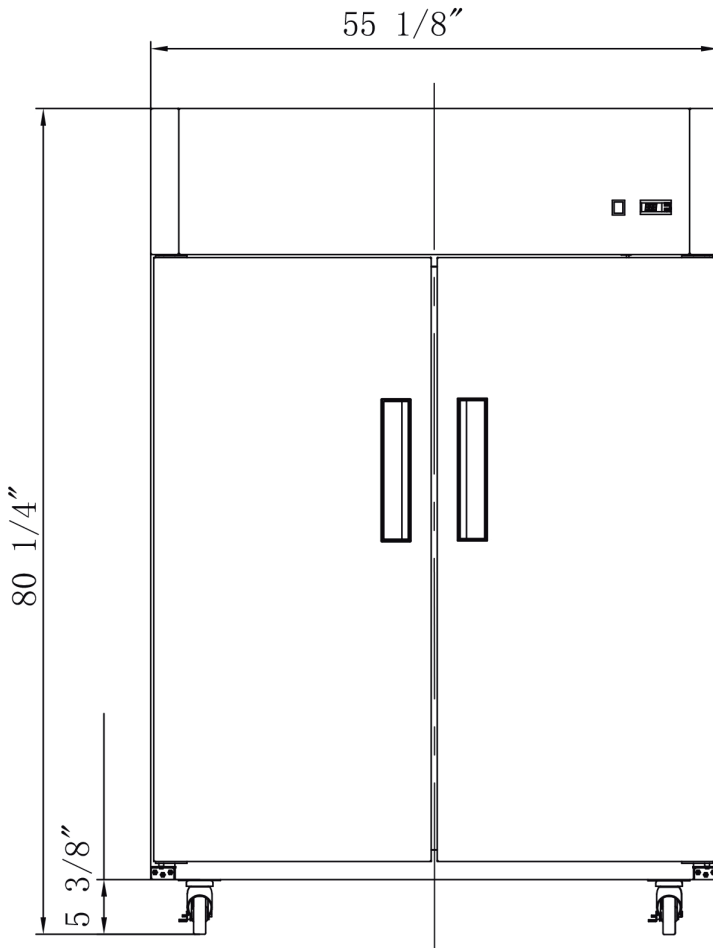
info@dukersusa.com

www.DukersUSA.com

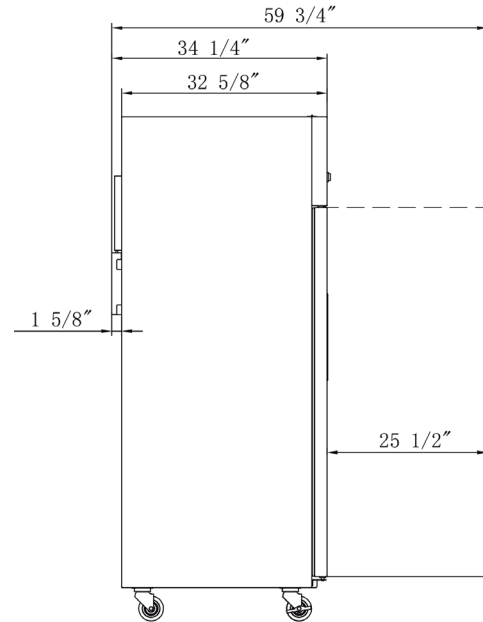
# DETAILS & SPECIFICATIONS

## D55AF

Front View



Side View



### MODEL D55AF

Rated Voltage	115V
Rated Frequency	60Hz
Total Input Power	1250W
Total Current	11.8 A
Total Capacity	41.73 cu ft
Climatic Category	4-5
Protection Type	I
Design Pressure High Side	300 PSIG
Design Pressure Low Side	150 PSIG
Insulation Blowing Gas	C-Pentane
Refrigerant	R290/5.11 oz

MODEL	EXTERNAL DIMENSION WXDXH (INCHES)	PACKAGING DIMENSION WXDXH (INCHES)	PRODUCT NET WEIGHT	# OF SHELVES	40HQ CONTAINER CERT.
D55AF	55 1/8 x 34 1/6 x 80 3/8	56 3/4 x 35 3/8 x 84 3/8	463 lbs	8	16



AutoQuotes



115/60/1  
NEMA-5-15P



Los Angeles | San Francisco | Dallas  
Houston | Florida | Chicago | New Jersey

1-800-931-8628

@ info@dukersusa.com

www.DukersUSA.com