

# 24" DEEP SLIDING GLASS DOOR BACK BAR COOLER

Project Name: \_\_\_\_\_

Project Location: \_\_\_\_\_

Model #: \_\_\_\_\_ Quantity: \_\_\_\_\_

Available Warehouse: \_\_\_\_\_

## EBB Series Model: EBB59G-SD



### Refrigeration System

- Side mounted, self-contained and fully detachable Blizzard R290 condensing unit uses environmentally friendly, EPA-compliant R290 refrigerant with zero (0) Ozone Depletion Potential (ODP) and three (3) Global Warming Potential (GWP). Blizzard R290 is easily replaceable and requires no on-site brazing.
- Electronically commutated (ECM) fan motors achieve rapid cooling with less energy consumption.
- Full-length air duct system ensures optimal circulation of cold air.
- Time-initiated and temperature-terminated auto defrost cycle for seamless operation.
- Large capacity, corrosion-resistant condenser and evaporator coils.
- Self-maintaining, energy-efficient condensate drain pan requires no external drains or electric heaters.
- High performance, auto-reverse condenser fan motor supports compressor ventilation and condenser coil cleaning. Refer to owner's manual for full maintenance instructions.
- Pre-wired and ready to plug, 115V/60Hz/1Ph, NEMA 5-15P.

### Cabinet Construction

- Heavy duty stainless steel countertop with textured laminate, black vinyl exterior.
- Open spaced interior with no walls between compartments.
- Galvanized steel interior walls and high quality stainless steel floor.
- 1 3/4" thick high density polyurethane insulation.
- Built-in caster thread receptacles for all models.

### Lighting

- Shielded LED bar lighting with on/off switch provides bright, high color illumination at lower heat output.

### Doors

- Low emissivity double glass panes reflect UV rays for efficient cooling.
- Black PVC door frames.
- Self-closes by weight.
- Removable doors and stainless steel door tracks make cleaning an easy process.

### Shelving

- Two epoxy coated, steel wire shelves per section.
- Height adjustable stainless steel clips.

### Temperature Control

- Multi-function digital controller with easy to read LED display.
- Factory preset temperature, 35°F.
- Temperature setting range from 33°F to 54°F.
- Audible overheat protection alarm for compressor and condenser coil.

### Options

- Additional shelving.
- 3" or 5" swivel casters with locks.
- 3.5" – 6" height-adjustable and interchangeable legs.



Please visit our website for updated Energy Efficiency information

| Ref/<br>Frz/Dual | Doors | Capacity |             |               | Shelves | Refrigerant | HP   | Power<br>V-Hz-Ph | Amps | Crated<br>Weight   | Exterior Dimensions |                  |                   |
|------------------|-------|----------|-------------|---------------|---------|-------------|------|------------------|------|--------------------|---------------------|------------------|-------------------|
|                  |       | Cu. Ft.  | 12 oz. Cans | 12 oz. Bottle |         |             |      |                  |      |                    | L                   | D                | H*                |
| REF              | 2     | 17       | 560         | 357           | 4       | R-290       | 1/4+ | 115-60-1         | 3.5  | 295 lbs<br>(134kg) | 57.75"<br>(1467mm)  | 24.5"<br>(622mm) | 37.25"<br>(946mm) |

(†)Based on evaporating temperature of 23°F (-5°C) & condensing temperature of 131°F (55°C). (►) Product capacity is calculated based on standard industry figures. (✳) Reference plan view for clarification on caster/unit height. If dimensions and capacity are critical, please contact Everest Refrigeration. Blizzard R290 replacement is at the sole discretion of Everest Refrigeration. Specifications subject to change without notice.

# 24" DEEP SLIDING GLASS DOOR BACK BAR COOLER

## EBB Series Model: EBB59G-SD


### DIMENSIONAL DATA

|                          |    |                  |
|--------------------------|----|------------------|
| External Dimensions      | L  | 57.75" (1467mm)  |
|                          | D  | 24.5" (622mm)    |
|                          | H* | 37.25" (946mm)   |
| Crated Weight            |    | 295 lbs. (134kg) |
| Doors/Drawers/Lids       |    | 2                |
| Max Weight Support (LBS) |    | -                |

### STORAGE DATA

|                        |     |
|------------------------|-----|
| Net Capacity Cu. Ft. ▶ | 17  |
| Shelves                | 4   |
| Barrels                | -   |
| 20 oz. Bottles         | -   |
| 12 oz. Bottles         | 357 |
| 12 oz. Cans            | 560 |
| 8" Mugs                | -   |
| # of Pans (Top)        | -   |
| # of Pans (Drawer)     | -   |
| Dividers               | -   |
| Trays                  | -   |

### ELECTRICAL DATA


|                        |  |
|------------------------|--|
| Voltage                | 115-60-1   |
| Full Load Amperage     | 3.5A   |
| Feed Wires with Ground | 3  |
| Cord Length            | 9ft  |
| NEMA Plug Type         |  NEMA 5-15P |

### REFRIGERATION DATA

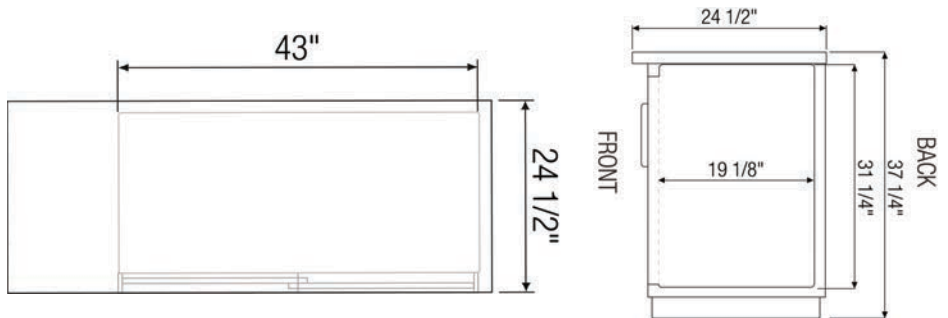
|                     |       |
|---------------------|-------|
| Compressor Mounting | Side  |
| Refrigerant         | R-290 |
| Compressor HP       | 1/4+  |
| BTU/HR †            | 1926  |

### KEY

|    |            |      |               |
|----|------------|------|---------------|
| D  | Door       | R    | Refrigerator  |
| L  | Lid        | REF  | Refrigerator  |
| H  | Half Door  | F    | Freezer       |
| FD | Full Door  | FRZ  | Freezer       |
| SD | Solid Door | DUAL | REF/FRZ Combo |
| GD | Glass Door | DR   | Drawer        |

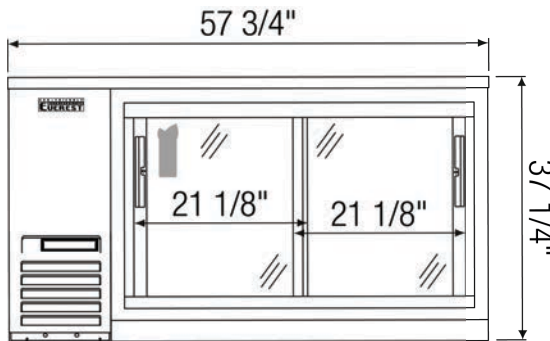
|  |           |       |      |    |      |
|--|-----------|-------|------|----|------|
|  | Elevation | Right | Plan | 3D | Back |
|  |           |       |      |    |      |

### PLAN VIEW

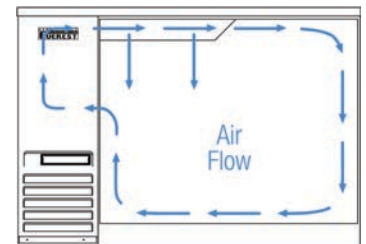


FRONT

SIDE



TOP



AIRFLOW

### ACCESSORIES & OPTIONS

| Part Number                | Description  |
|----------------------------|--|
| <b>Additional Shelving</b> | Contact Everest Refrigeration for more information.    |
| <b>AJL03-00</b>            | Interchangeable Leg for Caster (Optional)              |
| <b>CASA3-01</b>            | 3" Overall Height Caster Assembly - (2) Front (2) Rear |
| <b>CASA5-01</b>            | 5" Overall Height Caster Assembly - (2) Front (2) Rear |

(†)Based on evaporating temperature of 23°F (-5°C) & condensing temperature of 131°F (55°C). (▶) Product capacity is calculated based on standard industry figures. (✳) Reference plan view for clarification on caster/unit height. If dimensions and capacity are critical, please contact Everest Refrigeration. Blizzard R290 replacement is at the sole discretion of Everest Refrigeration. Specifications subject to change without notice.

# 24" DEEP SLIDING GLASS DOOR BACK BAR COOLER

## EBB Series Model: EBB59G-SD


### DIMENSIONAL DATA

|                          |    |                  |
|--------------------------|----|------------------|
| External Dimensions      | L  | 57.75" (1467mm)  |
|                          | D  | 24.5" (622mm)    |
|                          | H* | 37.25" (946mm)   |
| Crated Weight            |    | 295 lbs. (134kg) |
| Doors/Drawers/Lids       |    | 2                |
| Max Weight Support (LBS) |    | -                |

### STORAGE DATA

|                        |     |
|------------------------|-----|
| Net Capacity Cu. Ft. ▶ | 17  |
| Shelves                | 4   |
| Barrels                | -   |
| 20 oz. Bottles         | -   |
| 12 oz. Bottles         | 357 |
| 12 oz. Cans            | 560 |
| 8" Mugs                | -   |
| # of Pans (Top)        | -   |
| # of Pans (Drawer)     | -   |
| Dividers               | -   |
| Trays                  | -   |

### ELECTRICAL DATA


|                        |  |
|------------------------|--|
| Voltage                | 115-60-1   |
| Full Load Amperage     | 3.5A   |
| Feed Wires with Ground | 3  |
| Cord Length            | 9ft  |
| NEMA Plug Type         |  NEMA 5-15P |

### REFRIGERATION DATA

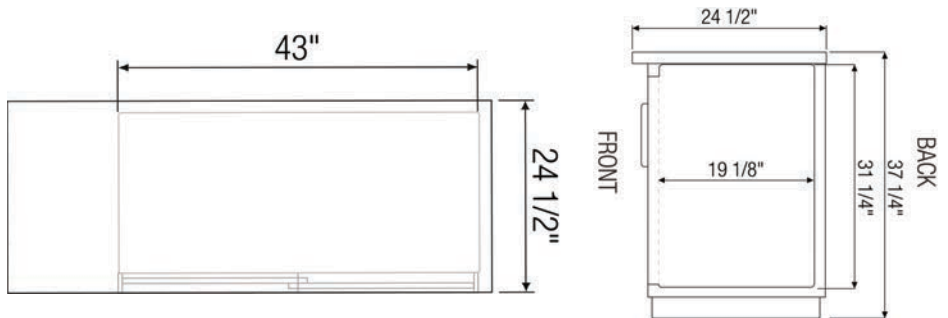
|                     |       |
|---------------------|-------|
| Compressor Mounting | Side  |
| Refrigerant         | R-290 |
| Compressor HP       | 1/4+  |
| BTU/HR †            | 1926  |

### KEY

|    |            |      |               |
|----|------------|------|---------------|
| D  | Door       | R    | Refrigerator  |
| L  | Lid        | REF  | Refrigerator  |
| H  | Half Door  | F    | Freezer       |
| FD | Full Door  | FRZ  | Freezer       |
| SD | Solid Door | DUAL | REF/FRZ Combo |
| GD | Glass Door | DR   | Drawer        |

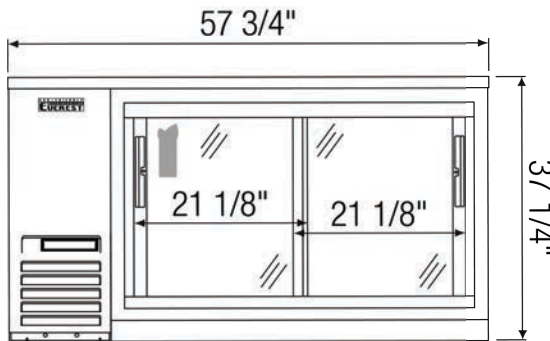
|  |           |       |      |    |      |
|--|-----------|-------|------|----|------|
|  | Elevation | Right | Plan | 3D | Back |
|  |           |       |      |    |      |

### PLAN VIEW

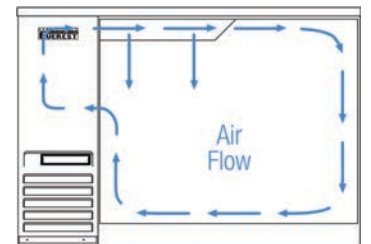


### FRONT

### SIDE



### TOP



### AIRFLOW

### ACCESSORIES & OPTIONS

| Part Number                | Description  |
|----------------------------|--|
| <b>Additional Shelving</b> | Contact Everest Refrigeration for more information.    |
| <b>AJL03-00</b>            | Interchangeable Leg for Caster (Optional)              |
| <b>CASA3-01</b>            | 3" Overall Height Caster Assembly - (2) Front (2) Rear |
| <b>CASA5-01</b>            | 5" Overall Height Caster Assembly - (2) Front (2) Rear |

(†)Based on evaporating temperature of 23°F (-5°C) & condensing temperature of 131°F (55°C). (▶) Product capacity is calculated based on standard industry figures. (✳) Reference plan view for clarification on caster/unit height. If dimensions and capacity are critical, please contact Everest Refrigeration. Blizzard R290 replacement is at the sole discretion of Everest Refrigeration. Specifications subject to change without notice.