



Project _____
 Item # _____
 Quantity _____

KATTEX

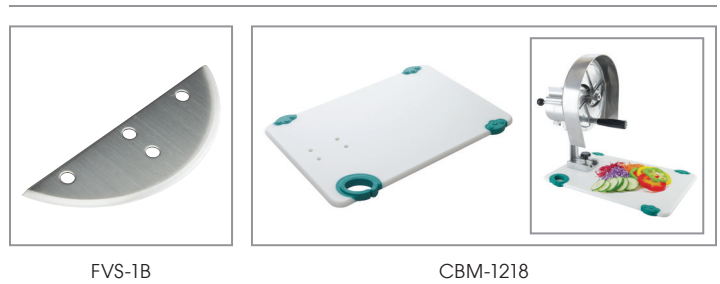
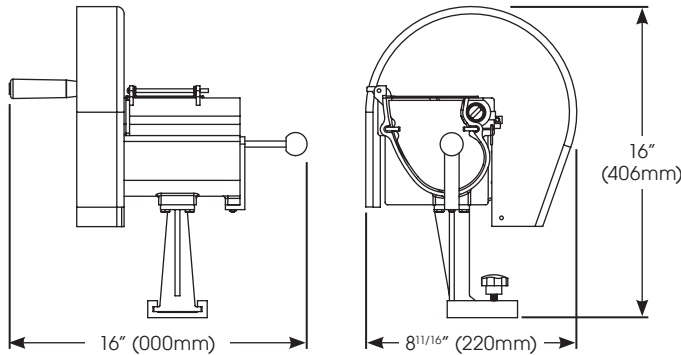
Quick Slice Fruit & Vegetable Slicer

Models: FVS-1

Save on time and labor with the Kattex Fruit & Vegetable Slicer by simply putting produce in the holder to turn out uniform slices in seconds.

Standard Features

- ◆ Aluminum construction with 9-1/4" stainless steel adjustable blade
- ◆ Easy to use calibrated 1/16"(1mm) to 1/2"(12mm) slice thickness gauge
- ◆ Mounts to countertops and other flat surfaces, can easily be removed for storage and cleaning
- ◆ Can accommodate fruits and vegetables with a maximum of 4" diameter and 5-1/2" in length



Parts & Accessories

FVS-1B	2-Pc Replacement Blades
FVS-1SB	Replacement Shaft and Blade Turntable Assembly
CBM-1218	Cutting Board Mount for FVS-1
SS-821	Combination Sharpening Stone

MODEL	DESCRIPTION	OVERALL DIMENSIONS			BOX DIMENSIONS			SHIP WEIGHT
		LENGTH	DEPTH	HEIGHT	LENGTH	DEPTH	HEIGHT	
FVS-1	Fruit & Vegetable Slicer	16" (406mm)	8-11/16" (220mm)	16" (406mm)	16-5/8" (423mm)	8-3/8" (213mm)	9-5/8" (245mm)	12.13 lbs (5.5 kg)

Product Specs Quick Slice Fruit & Vegetable Slicer

The Quick Slice Fruit & Vegetable Slicer model FVS-1 as manufactured by Winco®, Lodi, NJ 07644.

The Quick Slice Fruit & Vegetable Slicer shall be constructed of aluminum with 9-1/4" stainless steel adjustable blade. Units are equipped with adjustable thickness gauge allowing slice thickness from 1/16"(1mm) to 1/2"(12mm) and can accommodate fruits and vegetables with a maximum of 4" diameter and 5-1/2" in length. Units can be mounted to countertops and other flat surfaces and can easily be removed for storage and cleaning.

For California Customers
WARNING: Cancer and Reproductive Harm - www.P65Warnings.ca.gov

Winco®, DWL International Trading, LLC

New Jersey Headquarters:
 65 Industrial Road, Lodi, NJ 07644
 Tel. 1.888.946.2682 | Fax: 1.888.946.2632

California Distribution Center
 14950-14952 Valley View Avenue, La Mirada, CA 90638
 Tel. 1.888.946.2652 | Fax: 1.562.926.5678

Florida Distribution Center
 10800 NW 103rd St. Bldg 22, Ste 11, Miami, FL 33178
 Tel. 1.786.536.4656

www.wincous.com | equipsales@wincous.com