

Product Specification Sheet



Model No.	Description	Length	Depth**	Height	Voltage	Amps	HP	Power Cord	Est. S Weight
Refrigerators									
GR22BM	One Door	26.50"	35.88"	82"	115	10.2	1/3	5-15P	330
GR48BM	Two Door	52.25"	35.88"	82"	115	11.0	1/3	5-15P	520
GR75BM	Three Door	78.00"	35.88"	82"	115	13.8	1/2	5-20P	720
GR102BM	Four Door	103.75"	35.88"	82"	115/208-230	6.40/7.10	3/4	L14-20P	980
Freezers / Frozen Food									
GF22BM-FF	One Door	26.50"	35.88"	82"	115	16.0	1/2	5-20P	390
GF48BM-FF	Two Door	52.25"	35.88"	82"	115/208-230	16.0	3/4	L14-20P	590
GF75BM-FF	Three Door	78.00"	35.88"	82"	115/208-230	16.0	1	L14-20P	790
GF102BM-FF	Four Door	103.75"	35.88"	82"	115/208-230	16.0/16.0	(2) 3/4	L14-20P(2)	1174
Freezers / Low Temp									
GF22BM-LT	One Door	26.50"	35.88"	82"	115/208-230	12.0	3/4	L14-20P	390
GF48BM-LT	Two Door	52.25"	35.88"	82"	115/208-230	16.0	1-1/2	L14-20P	590
GF75BM-LT	Three Door	78.00"	35.88"	82"	115/208-230	16.0	1-3/4	L14-20P	790

MODEL NUMBER SUFFIX - B = Black Standard = White S = Stainless Steel
 • Cases are designed to operate at 75 degrees Fahrenheit and 55% relative humidity
 • Specification subject to change without notice



A Division of HMC Enterprises LLC • 831 East Cayuga St • Philadelphia, PA 19124 USA

(215) 464-6800 • 1-800-344-8222 • Fax (215) 969-4890 • E-Mail: sales@howardmccray.com • www.howardmccray.com

Standard Specification and Optional Features

CONSTRUCTION

- UL Classified to ANSI/NSF 7
- Heavy Duty Construction
- Foamed in place CFC free foam
- Removable front grille for easy servicing
- 1, 2, 3, or 4 Door models available
- Heavy duty edge mounted hinges

INTERIOR

- White aluminum ends and rear (optional black and stainless steel)
- White aluminum floors (optional black and stainless steel)
- Aluminum evaporator fan housing
- 4 Heavy duty epoxy coated shelves per door

EXTERIOR

- White aluminum ends and front (optional black and stainless steel)
- Triple pane glass doors 23-3/4" x 62-1/4"
- Doors - chrome finish (white and stainless steel)
- Doors - black finish (black)

LIGHTING

- Vertical LED light strips - standard
- 1 Dr = 2 LED light strips
- 2 Dr = 4 LED light strips
- 3 Dr = 6 LED light strips
- 4 Dr = 8 LED light strips

OPTIONAL FEATURES

- Door swing change
- Digital thermometer
- Extra shelf with clips
- Cantilever shelves
- Door locks
- Stainless steel, laminated or paint
- 6" Legs
- 5" Casters
- Tag molding
- 115V on GF22BM-V4 model

REFRIGERATORS

ELECTRICAL REQUIREMENTS

- 8' Cord and plug see technical data
- UL/CUL listed
- 1, 2, 3 Door units, 115V
- 4 Door unit, 115V/208-230V

REFRIGERATION

- Bottom mounted condensing unit
- R134a refrigeration
- 1, 2, 3 Door units Capillary tube
- 4 Door unit Expansion valve
- Electronically controlled with audio alarm
- Automatic air defrost
- Electric evaporator pan - (115V-separate plug)
- Remote available

FREEZERS

ELECTRICAL REQUIREMENTS

- 8' cord NEMA plug see technical data
- UL/CUL listed
- 115V/208-230V

REFRIGERATION

- Bottom mounted condensing unit
- R404A expansion valve system
- Electronically controlled with audio alarm
- Automatic air defrost
- Electric evaporator pan - (115V-separate plug)
- Remote available

Important Note:

All refrigerated cases are designed to operate in an environment of 75 degrees and 55% relative humidity. Product must be cooled before being displayed within the case.



Technical Data/Refrigerators

Model No. REFRIGERATORS	SC R	GR22BM R-GR22BM	GR48BM R-GR48BM	GR75BM R-GR75BM	GR102BM R-GR102BM
Length		26.5"	52.25"	78"	103.75"
Height		82"	82"	82"	82"
Depth w/drain cover & door handle		37.188"	37.188"	37.188"	37.188"
(Dimensions are +/- 1/4")					
Operating temperature		36°F to 40°F	36°F to 40°F	36°F to 40°F	36°F to 40°F
Refrigerant	SC	R134a	R134a	R134a	R134a
Expansion Valve	R	R404A	R404A	R404A	R404A
System type		Capillary tube	Capillary tube	Capillary tube	Expansion valve
Compressor size HP	SC	1/3	1/3	1/2	3/4
Refrigeration system		Electronic controlled	Electronic controlled	Electronic controlled	Electronic controlled
Defrost per day (24 hours)	Air Defrost	Electronic controlled	Electronic controlled	Electronic controlled	Electronic controlled
Defrost per day	R.	1 per day	1 per day	1 per day	1 per day
BTU's at +20°F Evap. Temp.	R	1300	1900	2600	3000
Voltage	SC	115	115	115	115/208-230
Amperage	SC	10.2	11.0	13.8	6.40/7.10
Voltage	R	115	115	115	115
Amperage, lights, fans	R	2.6	3.4	4.1	6.4
Cord and plug	SC	5-15P	5-15P	5-20P	L14-20P
	R	NO	NO	NO	NO
Drain electric condensate plug		115V	115V	115V	115V
Exterior color		W, B, S	W, B, S	W, B, S	W, B, S
Interior color		W, B, S	W, B, S	W, B, S	W, B, S
Door size		23.75 x 62.25	23.75 x 62.25	23.75 x 62.25	23.75 x 62.25
Total shelves		4	8	12	16
Shelf size		(4) 22.75" x 23"	(8) 22.75" x 23"	(8) 22.75" x 23" (4) 25" x 23"	(8) 22.75" x 23" (8) 25" x 23"
Cubic capacity		22	48	75	102
Shipping Info					
Height		86"	86"	86"	86"
Depth		44"	44"	44"	44"
Length		31"	58"	84"	109"
Gross weight SC/R		330/Call for Info	520/Call for Info	720/Call for Info	1200/Call for Info
Cubic feet		68	127	184	228

(ALL WHITE OR ALL BLACK, NO EXTRA CHARGE—IF COLORS ARE MIXED AN ADDITIONAL CHARGE WILL APPLY)

Prefix

SC = Self Contained
R = Remote

Suffix

B = Black
S = Stainless Steel
LED = LED lighting

- Cases are designed to operate at 75 degrees Fahrenheit and 55% relative humidity
- Cases are equipped with drains; check your local building codes for connection requirements.
- Specification subject to change without notice



Technical Data/Frozen Food Freezers

Model No. FREEZER FROZEN FOOD	SC R	GF22BM-FF R-GF22BM-FF	GF48BM-FF R-GF48BM-FF	GF75BM-FF R-GF75BM-FF	GF102BM-FF R-GF102BM-FF
Length		26.5"	52.25"	78"	103.75"
Height		82"	82"	82"	82"
Depth w/drain cover & door handle (Dimensions are +/- 1/4")		37.188"	37.188"	37.188"	37.188"
Operating temperature		5°F to -5°F	5°F to -5°F	5°F to -5°F	5°F to -5°F
Refrigerant	SC	R404A	R404A	R404A	R404A
Expansion Valve	R	R404A	R404A	R404A	R404A
System type		Expansion valve	Expansion valve	Expansion valve	Expansion valve
Compressor size HP	SC	1/2	3/4	1	(2) 3/4
Refrigeration system		Electronic controlled	Electronic controlled	Electronic controlled	Electronic controlled
Defrost per day (24 hours)		Electronic controlled	Electronic controlled	Electronic controlled	Electronic controlled
Defrost per day	R.	3 per day	3 per day	3 per day	3 per day
BTU's at -15°F Evap. Temp.	R	2131	3695	5534	7373
Voltage	SC	115	115/208-230	115/208-230	115/208-230
Amperage	SC	16.0	16.0	16.0	16.0/16.0
Voltage	R	115	115/208-230	115/208-230	115/208-230
Amperage, lights, fans, defrost heaters	R	10.5	9.0	11.6	8.8/8.9
Cord and plug	SC	5-20P	L14-20P	L14-20P	(2) L14-20P
	R	NO	NO	NO	NO
Drain electric condensate plug		115V	115V	115V	115V
Exterior color		W, B, S	W, B, S	W, B, S	W, B, S
Interior color		W, B, S	W, B, S	W, B, S	W, B, S
Door size		23.75 x 62.25	23.75 x 62.25	23.75 x 62.25	23.75 x 62.25
Total shelves		4	8	12	16
Shelf size		(4) 20.75" x 23"	(8) 22.75" x 23"	(8) 22.75" x 23" (4) 25" x 23"	(8) 22.75" x 23" (8) 25" x 23"
Cubic capacity		22	48	75	102
Shipping Info					
Height		86"	86"	86"	86"
Depth		44"	44"	44"	44"
Length		31"	58"	84"	109"
Gross weight SC/R		390/Call for Info	590/Call for Info	790/Call for Info	1174/Call for Info
Cubic feet		68	127	184	228

(ALL WHITE OR ALL BLACK, NO EXTRA CHARGE—IF COLORS ARE MIXED AN ADDITIONAL CHARGE WILL APPLY)

Prefix

SC = Self Contained
R = Remote

Suffix

B = Black
S = Stainless Steel
LED = LED lighting

- Cases are designed to operate at 75 degrees Fahrenheit and 55% relative humidity
- Cases are equipped with drains; check your local building codes for connection requirements.
- Specification subject to change without notice

Technical Data/Freezers Low Temp

Model No. FREEZER ICE CREAM	SC R	GF22BM R-GF22BM	GF48BM R-GF48BM	GF75BM R-GF75BM
Length		26.5"	52.25"	78"
Height		82"	82"	82"
Depth w/drain cover & door handle (Dimensions are +/- 1/4")		37.188"	37.188"	37.188"
Operating temperature		0°F to -5°F+	0°F to -5°F+	0°F to -5°F+
Refrigerant	SC	R404A	R404A	R404A
Expansion Valve	R	R404A	R404A	R404A
System type		Expansion valve	Expansion valve	Expansion valve
Compressor size HP	SC	3/4	1-1/2	1-3/4
Refrigeration system		Electronic controlled	Electronic controlled	Electronic controlled
Defrost per day (24 hours) 3 per day	Defrost per day	Electronic controlled	Electronic controlled 3 per day	Electronic controlled 3 per day
BTU's at -35°F Evap. Temp.	R	2311	4019	6002
Voltage 16.0	SC Amperage	115/208-23 SC	115/208-230 12.0	115/208-230 16.0
Voltage	R	115	115/208-230	115/208-230
Amperage, lights, fans, defrost heaters	R	10.5	9.0	11.6
Cord and plug	SC R	L14-20P NO	L14-20P NO	L14-20P NO
Drain electric condensate plug		115V	115V	115V
Exterior color		W, B, S	W, B, S	W, B, S
Interior color		W, B, S	W, B, S	W, B, S
Door size		23.75 x 62.25	23.75 x 62.25	23.75 x 62.25
Total shelves		4	8	12
Shelf size		(4) 20.75" x 23"	(8) 22.75" x 23"	(8) 22.75" x 23" (4) 25" x 23"
Cubic capacity		22	48	75
Shipping Info				
Height		86"	86"	86"
Depth		44"	44"	44"
Length		31"	58"	84"
Gross weight SC/R		390/Call for Info	590/Call for Info	790/Call for Info
Cubic feet		68	127	184

(ALL WHITE OR ALL BLACK, NO EXTRA CHARGE—IF COLORS ARE MIXED AN ADDITIONAL CHARGE WILL APPLY)

Prefix

SC = Self Contained
R = Remote

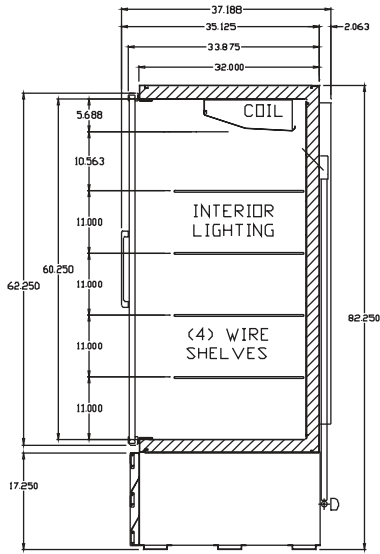
Suffix

B = Black
S = Stainless Steel
LED = LED lighting

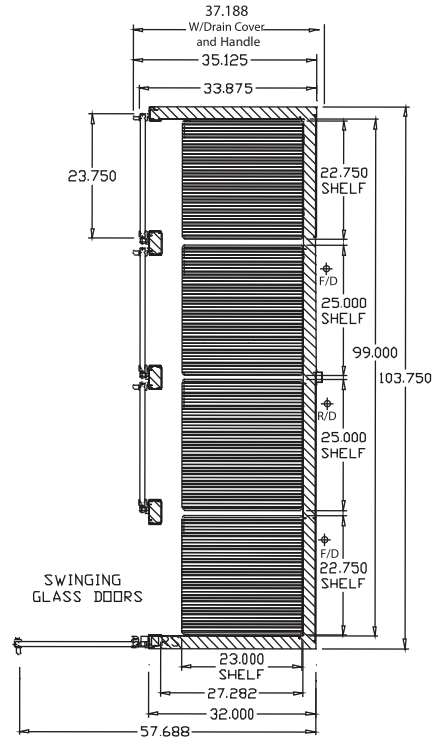
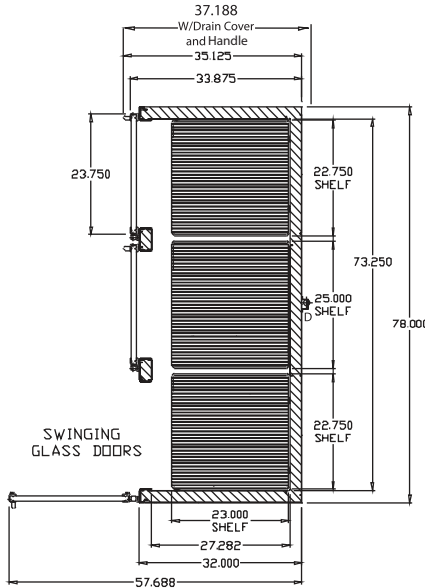
- Cases are designed to operate at 75 degrees Fahrenheit and 55% relative humidity
- Cases are equipped with drains; check your local building codes for connection requirements.
- Specification subject to change without notice



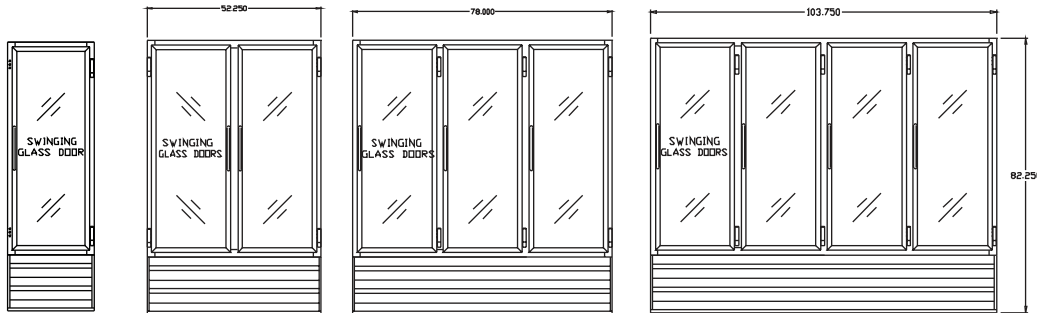
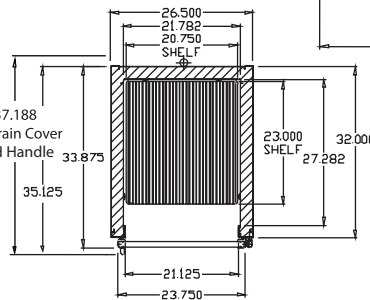
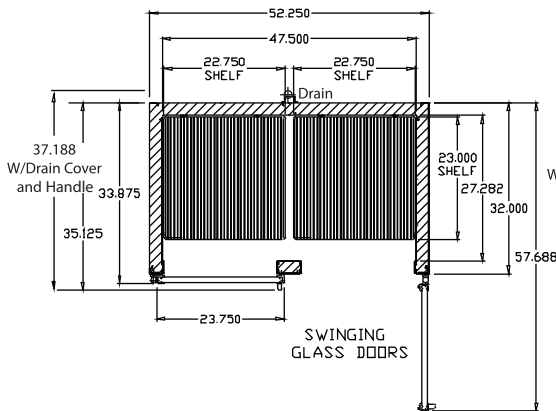
Technical Data • Side View • Plan View



Cross Section



Plan Views



Product Specification Sheet



Model No.	Description	Length	Depth	Height	Voltage	Amps	HP/BTUs	Power Cord	Est. Ship Weight
Refrigerators									
GR19BM	One Door	26.50"	33.50	78.50"	115	10.2	1/3	5-15P	330
GR42BM	Two Door	52.25"	33.50	78.50"	115	11.0	1/3	5-20P	520
GR65BM	Three Door	78.00"	33.50	78.50"	115	13.8	1/2	5-20P	720
GR88BM	Four Door	103.75"	33.50	78.50"	115/208-230	6.40/7.10	3/4	L14-20P	1248
Freezers / Frozen Food									
GF19BM-FF	One Door	26.50"	33.50	78.50"	115	16.0	1/2	5-20P	390
GF42BM-FF	Two Door	52.25"	33.50	78.50"	115/208-230	16.0	3/4	L14-20P	590
GF65BM-FF	Three Door	78.00"	33.50	78.50"	115/208-230	16.0	1	L14-20P	790
GF88BM-FF	Four Door	103.75"	33.50	78.50"	115/208-230	16.0/16.0	(2) 3/4	L14-20P(2)	1174
Freezers / Low Temp									
GF19BM-LT	One Door	26.50"	33.50	78.50"	115	12.0	3/4	5-20P	390
GF42BM-LT	Two Door	52.25"	33.50	78.50"	115/208-230	16.0	1-1/2	L14-20P	590
GF65BM-LT	Three Door	78.00"	33.50	78.50"	115/208-230	16.0	1-3/4	L14-20P	790
GF88BM-LT	Four Door	103.75"	33.50	78.50"	115/208-230	16.0/16.0	(2) 1/12	L14-20P(2)	1174

MODEL NUMBER SUFFIX - B = Black S = Stainless Steel

- Cases are designed to operate at 75 degrees Fahrenheit and 55% relative humidity
- Specification subject to change without notice



A Division of HMC Enterprises LLC • 831 East Cayuga St • Philadelphia, PA 19124 USA

(215) 464-6800 • 1-800-344-8222 • Fax (215) 969-4890 • E-Mail: sales@howardmccray.com • www.howardmccray.com

Standard Specification and Optional Features

CONSTRUCTION

- UL Classified to ANSI/NSF 7
- Heavy Duty Construction
- Foamed in place CFC free foam
- Removable front grille for easy servicing
- 1, 2, 3, or 4 Door models available
- Heavy duty edge mounted hinges

INTERIOR

- White aluminum ends and rear (optional black and stainless steel)
- White aluminum floors (optional black and stainless steel)
- Aluminum evaporator fan housing
- 4 Heavy duty epoxy coated shelves per door

EXTERIOR

- White aluminum ends and front (optional black and stainless steel)
- Triple pane glass doors 23-3/4" x 62-1/4"
- Doors - chrome finish (white and stainless steel)
- Doors - black finish (black)
- 5" Casters

LIGHTING

- Vertical LED light strips - standard
- 1 Dr = 2 LED light strips
- 2 Dr = 4 LED light strips
- 3 Dr = 6 LED light strips
- 4 Dr = 8 LED light strips

OPTIONAL FEATURES

- Door swing change
- Digital thermometer
- Extra shelf with clips
- Cantilever shelves
- Door locks
- Stainless steel, laminated or paint
- 6" Legs

Important Note:

All refrigerated cases are designed to operate in an environment of 75 degrees and 55% relative humidity. Product must be cooled before being displayed within the case.

DRAIN IS REQUIRED

REFRIGERATORS

ELECTRICAL REQUIREMENTS

- 8' Cord and plug see technical data
- UL/CUL listed
- 1, 2, 3 dDoor units, 115V
- 4 Door unit, 115V/208-230V

REFRIGERATION

- Top mounted condensing unit
- R134a refrigeration
- 1, 2, 3 Door units Capillary tube
- 4 Door unit Expansion valve
- Electronically controlled with audio alarm
- Automatic air defrost
- Electric evaporator pan - (115V-separate plug)
- Remote available

FREEZERS

ELECTRICAL REQUIREMENTS

- 8' cord NEMA plug see technical data
- UL/CUL listed
- 115V/208-230V

REFRIGERATION

- Top mounted condensing unit
- R404A expansion valve system
- Electronically controlled with audio alarm
- Automatic air defrost
- Electric evaporator pan - (115V-separate plug)
- Remote available



Technical Data/Refrigerators

Model No. REFRIGERATORS	SC R	GR19BM R-GR19BM	GR42BM R-GR42BM	GR65BM R-GR65BM	GR88BM R-GR88BM
Length		26.5"	52.25"	78"	103.75"
Height		78.5"	78.5"	78.5"	78.5"
Depth w/drain cover & door handle		33.50"	33.50"	33.50"	33.50"
<i>(Dimensions are +/- 1/4")</i>					
Operating temperature		36°F to 40°F	36°F to 40°F	36°F to 40°F	36°F to 40°F
Refrigerant	SC	R134a	R134a	R134a	R134a
Expansion Valve	R	R404A	R404A	R404A	R404A
System type		Capillary tube	Capillary tube	Capillary tube	Expansion valve
Compressor size HP	SC	1/3	1/3	1/2	3/4
Refrigeration system		Electronic controlled	Electronic controlled	Electronic controlled	Electronic controlled
Defrost per day (24 hours)	Air Defrost	Electronic controlled	Electronic controlled	Electronic controlled	Electronic controlled
Defrost per day	R.	1 per day	1 per day	1 per day	1 per day
BTU's at +20°F Evap. Temp.	R	1300	1900	2600	3000
Voltage	SC	115	115	115	115/208-230
Amperage	SC	10.2	11.0	13.8	6.40/7.10
Voltage	SC	115	115	115	115
Amperage, lights, fans	R	2.6	3.4	4.1	6.4
Cord and plug	SC	5-15P	5-15P	5-20P	L14-20P
	R	NO	NO	NO	NO
Drain electric condensate plug		115V	115V	115V	115V
Exterior color		W, B, S	W, B, S	W, B, S	W, B, S
Interior color		W, B, S	W, B, S	W, B, S	W, B, S
Door size		23.75 x 58.25	23.75 x 58.25	(2) 23.75 x 58.25 (1) 25.75 x 58.25	(2) 23.75 x 58.25 (2) 25.75 x 58.25
Total shelves		4	8	12	16
Shelf size		(4) 20.438 x 21.5	(8) 20.438 x 21.5"	(8) 20.438 x 21.5 (4) 22.438 x 21.5	(8) 20.438 x 21.5 (8) 22.438 x 21.5
Cubic capacity		19	42	65	88
Shipping Info					
Height		86"	86"	86"	86"
Depth		44"	44"	44"	44"
Length		31"	58"	84"	109"
Gross weight SC/R		330/Call for Info	520/Call for Info	720/Call for Info	980/Call for Info
Cubic feet		68	127	184	228

(ALL WHITE OR ALL BLACK, NO EXTRA CHARGE—IF COLORS ARE MIXED AN ADDITIONAL CHARGE WILL APPLY)

Prefix

SC = Self Contained
R = Remote

Suffix

B = Black
S = Stainless Steel
LED = LED lighting

- Cases are designed to operate at 75 degrees Fahrenheit and 55% relative humidity
- Cases are equipped with drains; check your local building codes for connection requirements.
- Specification subject to change without notice



Technical Data/Frozen Food Freezers

Model No. FREEZER FROZEN FOOD	SC R	GF19BM-FF R-GF19BM-FF	GF42BM-FF R-GF42BM-FF	GF65BM-FF R-GF65BM-FF	GF88BM-FF R-GF88BM-FF
Length		26.5"	52.25"	78"	103.75"
Height		78.5"	78.5"	78.5"	78.5"
Depth w/drain cover & door handle (Dimensions are +/- 1/4")		33.50"	33.50"	33.50"	33.50"
Operating temperature		5°F to -5°F	5°F to -5°F	5°F to -5°F	5°F to -5°F
Refrigerant	SC	R404A	R404A	R404A	R404A
Expansion Valve	R	R404A	R404A	R404A	R404A
System type		Expansion valve	Expansion valve	Expansion valve	Expansion valve
Compressor size HP	SC	1/2	3/4	1	(2) 3/4
Refrigeration system		Electronic controlled	Electronic controlled	Electronic controlled	Electronic controlled
Defrost per day (24 hours)		Electronic controlled	Electronic controlled	Electronic controlled	Electronic controlled
Defrost per day	R	3 per day	3 per day	3 per day	3 per day
BTU's at -15°F Evap. Temp.	R	2131	3695	5534	7373
Voltage	SC	115/208-230	115/208-230	115/208-230	115/208-230
Amperage	SC	12.0	16.0	16.0	16.0/16.0
Voltage	R	115	115/208-230	115/208-230	115/208-230
Amperage, lights, fans, defrost heaters	R	10.5	9.0	11.6	8.8/8.9
Cord and plug	SC	5-20P	L14-20P	L14-20P	(2) L14-20P
	R	NO	NO	NO	NO
Drain electric condensate plug		115V	115V	115V	115V
Exterior color		W, B, S	W, B, S	W, B, S	W, B, S
Interior color		W, B, S	W, B, S	W, B, S	W, B, S
Door size		23.75 x 62.25	23.75 x 62.25	23.75 x 62.25	23.75 x 62.25
Total shelves		4	8	12	16
Shelf size		(4) 20.438 x 21.5	(8) 20.438 x 21.5"	(8) 20.438 x 21.5 (4) 22.438 x 21.5	(8) 20.438 x 21.5 (8) 22.438 x 21.5
Cubic capacity		19	42	65	88
Shipping Info					
Height		86"	86"	86"	86"
Depth		44"	44"	44"	44"
Length		31"	58"	84"	109"
Gross weight SC/R		410/Call for Info	610/Call for Info	810/Call for Info	1184/Call for Info
Cubic feet		68	127	184	228

(ALL WHITE OR ALL BLACK, NO EXTRA CHARGE—IF COLORS ARE MIXED AN ADDITIONAL CHARGE WILL APPLY)

Prefix

SC = Self Contained
R = Remote

Suffix

B = Black
S = Stainless Steel
LED = LED lighting

- Cases are designed to operate at 75 degrees Fahrenheit and 55% relative humidity
- Cases are equipped with drains; check your local building codes for connection requirements.
- Specification subject to change without notice



Technical Data/Low Temp Freezers

Model No. FREEZER ICE CREAM	SC R	GF19BM-IC R-GF19BM-IC	GF42BM-IC R-GF42BM-IC	GF65BM-IC R-GF65BM-IC	GF88BM-IC R-GR88BM-IC
Length		26.5"	52.25"	78"	103.75"
Height		82"	82"	82"	82"
Depth w/drain cover & door handle		33.50"	33.50"	33.50"	33.50"
(Dimensions are +/- 1/4")					
Operating temperature		0°F to -5°F+	0°F to -5°F+	0°F to -5°F+	0°F to -5°F+
Refrigerant	SC	R404A	R404A	R404A	R404A
Expansion Valve	R	R404A	R404A	R404A	R404A
System type		Expansion valve	Expansion valve	Expansion valve	Expansion valve
Compressor size HP	SC	3/4	1-1/2	1-3/4	(2) 1-1/2
Refrigeration system		Electronic controlled	Electronic controlled	Electronic controlled	Electronic controlled
Defrost per day (24 hours)		Electronic controlled	Electronic controlled	Electronic controlled	Electronic controlled
Defrost per day	R	3 per day	3 per day	3 per day	3 per day
BTU's at -35°F Evap. Temp.	R	2311	4019	6002	7986
Voltage	SC	115/208-23	115/208-230	115/208-230	115/208-230
Amperage	SC	12.0	16.0	16.0	16.0/16.0
Voltage	R	115	115/208-230	115/208-230	115/208-230
Amperage, lights, fans, defrost heaters	R	10.5	9.0	11.6	8.8/9.9
Cord and plug	SC	L14-20P	L14-20P	L14-20P	(2) L14-20P
	R	NO	NO	NO	NO
Drain electric condensate plug		115V	115V	115V	115V
Exterior color		W, B, S	W, B, S	W, B, S	W, B, S
Interior color		W, B, S	W, B, S	W, B, S	W, B, S
Door size		23.75 x 62.25	23.75 x 62.25	23.75 x 62.25	23.75 x 62.25
Total shelves		4	8	12	16
Shelf size		(4) 20.438 x 21.5	(8) 20.438 x 21.5"	(8) 20.438 x 21.5 (4) 22.438 x 21.5	(8) 20.438 x 21.5 (8) 22.438 x 21.5
Cubic capacity		19	42	65	88
Shipping Info					
Height		86"	86"	86"	86"
Depth		44"	44"	44"	44"
Length		31"	58"	84"	109"
Gross weight SC/R		410/Call for Info	610/Call for Info	810/Call for Info	1184/Call for Info
Cubic feet		68	127	184	228

(ALL WHITE OR ALL BLACK, NO EXTRA CHARGE—IF COLORS ARE MIXED AN ADDITIONAL CHARGE WILL APPLY)

Prefix

SC = Self Contained
R = Remote

Suffix

B = Black
S = Stainless Steel
LED = LED lighting

- Cases are designed to operate at 75 degrees Fahrenheit and 55% relative humidity
- Cases are equipped with drains; check your local building codes for connection requirements.
- Specification subject to change without notice



Technical Data • Side View • Plan View

