

**Digital Cabinets
Bar Equipment 2-door
Refrigerator, 15.8 cu.ft, 48"**

ITEM # _____

MODEL # _____

NAME # _____

SIS # _____

AIA # _____



738119 (KCBB60SB-HC)

Bar Equipment - 2-door refrigerator, black, 15.8 cubic feet, R290 refrigerant gas, +33/+41°C

Short Form Specification

Item No. _____

Back bar refrigerator. Internal and external structure in painted steel and aluminum. Fin & tube condenser to improve the performances in high-temperature environments. Automatic Defrost Cooling System and digital temperature control.

Heavy duty adjustable shelves and stay-open self-closing doors.

R290 gas in the refrigeration circuit.

ETL Safety and Sanitation certified.

3/5 Years warranty.

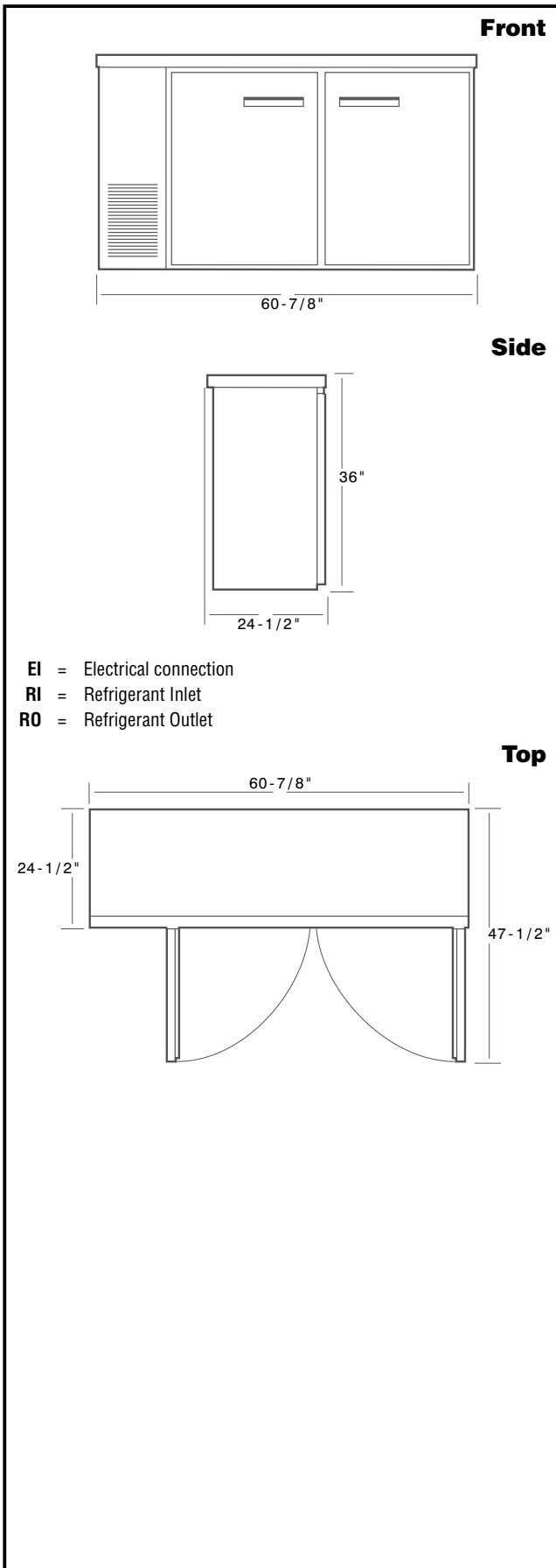
Main Features

- Fin & Tube Condenser improves performance in high temperature environments.
- Automatic Defrost Cooling System provides worry-free performance.
- Digital temperature control.
- ~~1/5~~ HP Compressor. **1/3**
- Heavy duty adjustable shelves, easy to handle and keep clean.
- Stay-open Self-Closing doors.
- Hydrocarbon refrigerant gas R290 for the lowest environmental impact (GWP=3) - CFC and HCFC free.

Construction

- Painted steel/Painted aluminium exterior and interior.
- Secure and inventory locking lids protect the contents of the unit.

APPROVAL: _____



Electric

Supply voltage:	738119 (KCBB60SB-HC)	115 V/1 ph/60 Hz
Electrical power, max:		0.736 kW
Plug type:		USA NEMA 5-15P

Key Information:

Capacity (Cu.Ft.)	15.8
Door hinges:	1 Left+1 Right
External dimensions, Width:	60 7/8" (1546.225 mm)
External dimensions, Depth:	24 1/2" (622.3 mm)
External dimensions, Height:	36 " (914.4 mm)
Number and type of doors:	2 Full
Number and type of grids (included):	4 - Vynil-Coated Steel
Type of external material:	Black Prepainted Steel
Type of internal material:	304 AISI
Warranty:	3 / 5 years

Refrigeration Data

Compressor Horsepower:	1/5 1/3
Refrigerant type:	R290
Operating temperature min.:	33.01 °F
Operating temperature max.:	41 °F
Condenser type:	Fin & tube