



460 Southport Commerce Blvd.  
 Spartanburg SC 29306  
 Phone: 864-574-6004  
 Fax: 864-574-6005  
 www.ojedausa.com  
 sales@ojedausa.com

Project: \_\_\_\_\_  
 Model #: \_\_\_\_\_  
 Item #: \_\_\_\_\_ Qty: \_\_\_\_\_  
 Approval: \_\_\_\_\_

# CHEST FREEZER

# NCFH-68



**ADJUSTABLE THERMOSTAT**  
 Freezers are equipped with a mechanical thermostat that allows the users to adjust temperature that best fits their products needs. Set from factory at -4°F.

**STEEL CONSTRUCTION**  
 Robust steel construction minimizes the use of plastic materials resulting in an environmentally friendly design.

**LID LOCK**  
 Equipped with a security lock (standard).

**FOAMED DOOR**  
 Solid chest freezer door with a perfect closing seal. The location of the equipment must allow at least a 75° opening angle.

**OPERATING TEMPERATURE**  
 -10°-0°F

**CUSTOM GRAPHICS**  
 Standard color: white

| Dimensions |      |      | Crated Dimensions |      |      | Baskets | HP   | Voltage               | NEMA config | Amps | Crated Weight                         |   |         |
|------------|------|------|-------------------|------|------|---------|------|-----------------------|-------------|------|---------------------------------------|---|---------|
|            | W    | D    | H                 |      | W    | D       | H    | 1                     | 1/3         | 120  | 5-15P                                 | 4 | 382 lbs |
| (in)       | 67   | 27.1 | 34.6              | (in) | 69.1 | 28      | 36.3 | Net Capacity (cf): 19 |             |      | Energy Consumption: 2.01 kw-hr/24 hrs |   |         |
| (mm)       | 1700 | 686  | 878               | (mm) | 1753 | 709     | 920  |                       |             |      |                                       |   |         |

\*Inches rounded up one decimal place \*Specifics may change without notification



## OPERATING CONDITIONS

- The unit is best suited for an environment where temperatures remain below 85 F and humidity does not exceed 55%
- Areas with direct sunlight should also be avoided

## WARRANTY

- 3 year parts and labor warranty
- 5 year compressor part

## CABINET CONSTRUCTION

- High-density, CFC-Free, polyurethane insulation
- Exterior: Galvanized metal cabinet with powder coated painted surface
- Interior: Easy to clean pre-painted steel
- Heavy Duty Casters
- Drain plug for easy cleaning

## REFRIGERATION

- Maintenance free condenser
- Adjustable Thermostat
- Easy to reach components for maintenance
- Triple access air flow compressor compartment.

## BASKETS

- Removable Wire baskets

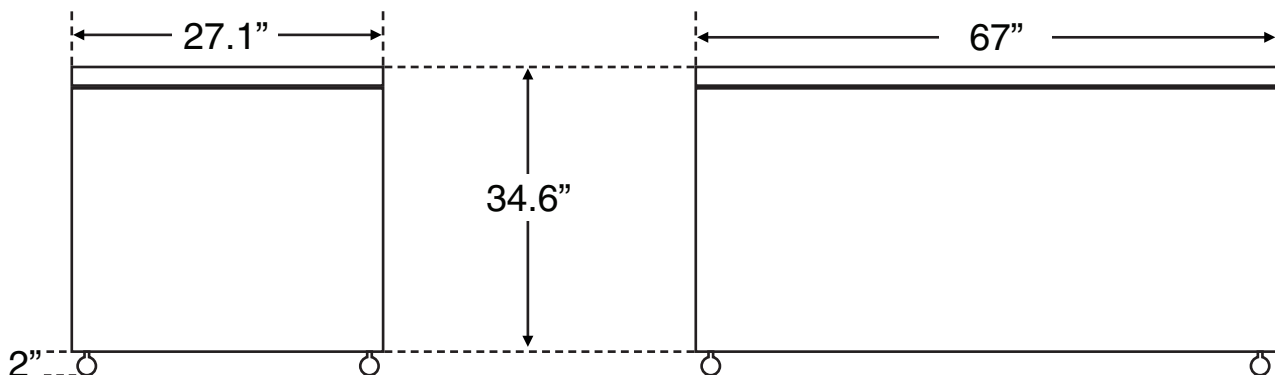
### BASKETS



### HINGE



### REMOVEABLE GASKET



\*Specifics may change without notification

