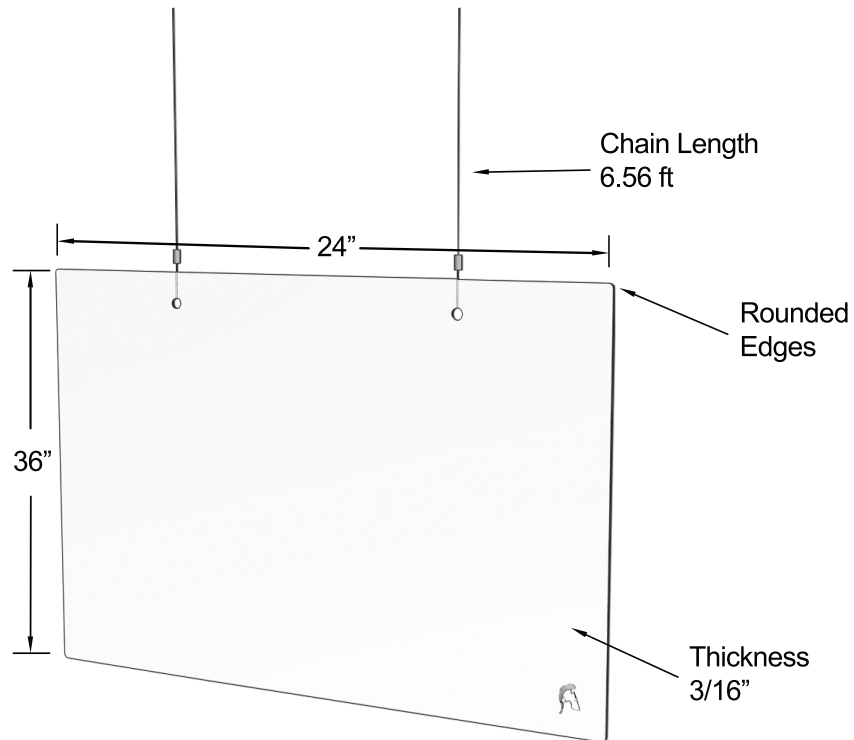


JMC

FOOD EQUIPMENT

SPARTAN SHIELDS

24" X 36" X 3/16" HANGING SHIELD W/ HARDWARE



ITEM NO. SAHS-2436

Item Weight
5.75 lbs

Color
Transparent Clear

Length of Chain
6.56 ft

Product Dimensions
24" x 36" x 3/16"

Material
3/16" Clear Acrylic

Item Package Quantity
5 pcs

Type
Hanging