

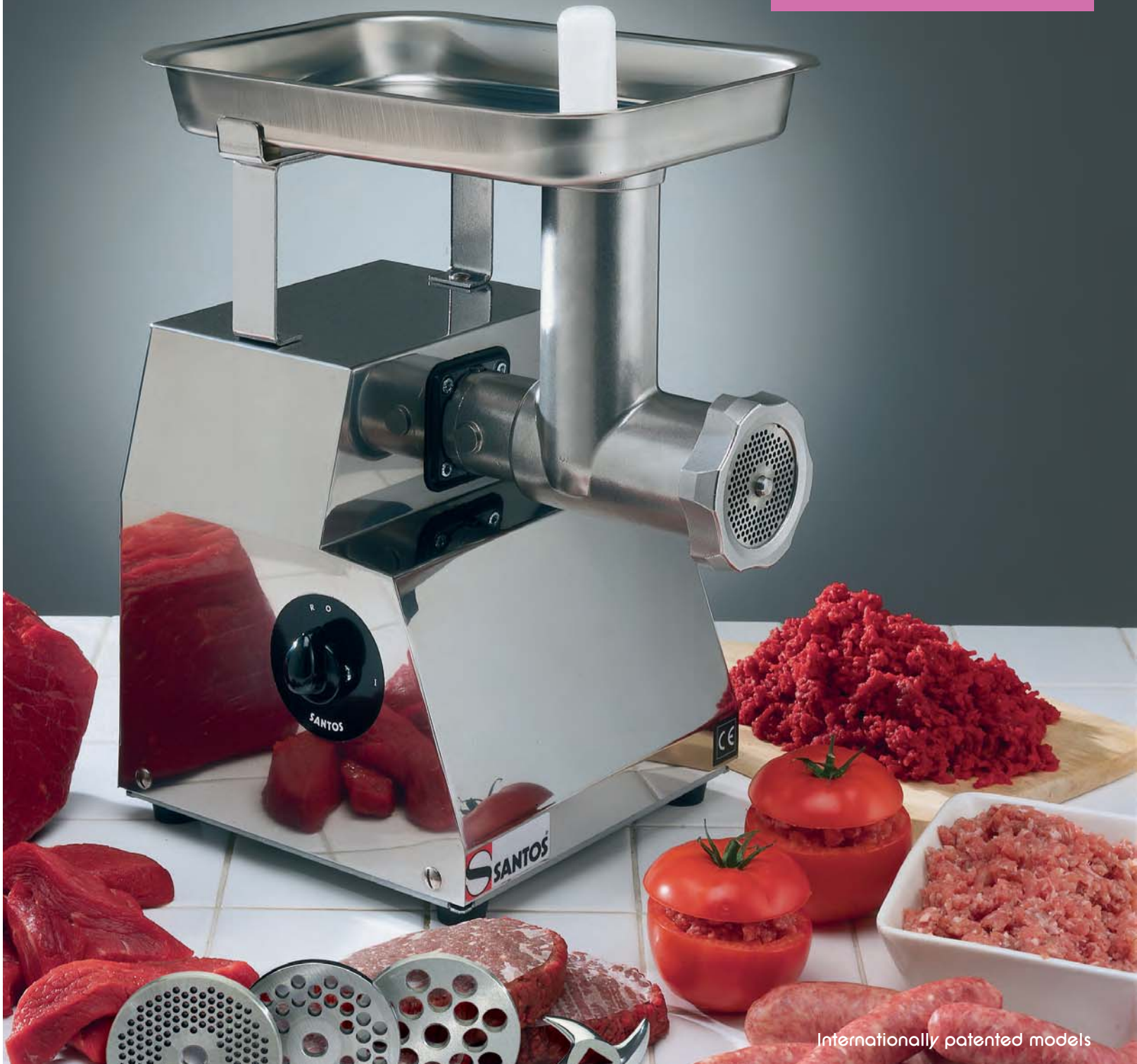


www.santos.fr



Economical, sturdy, ideal for small last minute preparations in kitchen and for French tartare

Meat Mincer #12  
2 Models  
n°12-8 : Ø 62 mm  
n°12-12 : Ø 70 mm



Internationally patented models





## Introducing the Santos meat mincer #12

- Dedicated to hotels, restaurants, institutions, butcher's shops, supermarkets...
- The ideal appliance for the preparation of ground beef, hamburger steak, sausages, pâtés...
- It can mince all kinds of meat, including the most difficult ones

Video



You can also choose it in red 12-12R



The appliance is delivered with 3 different mincing plates.



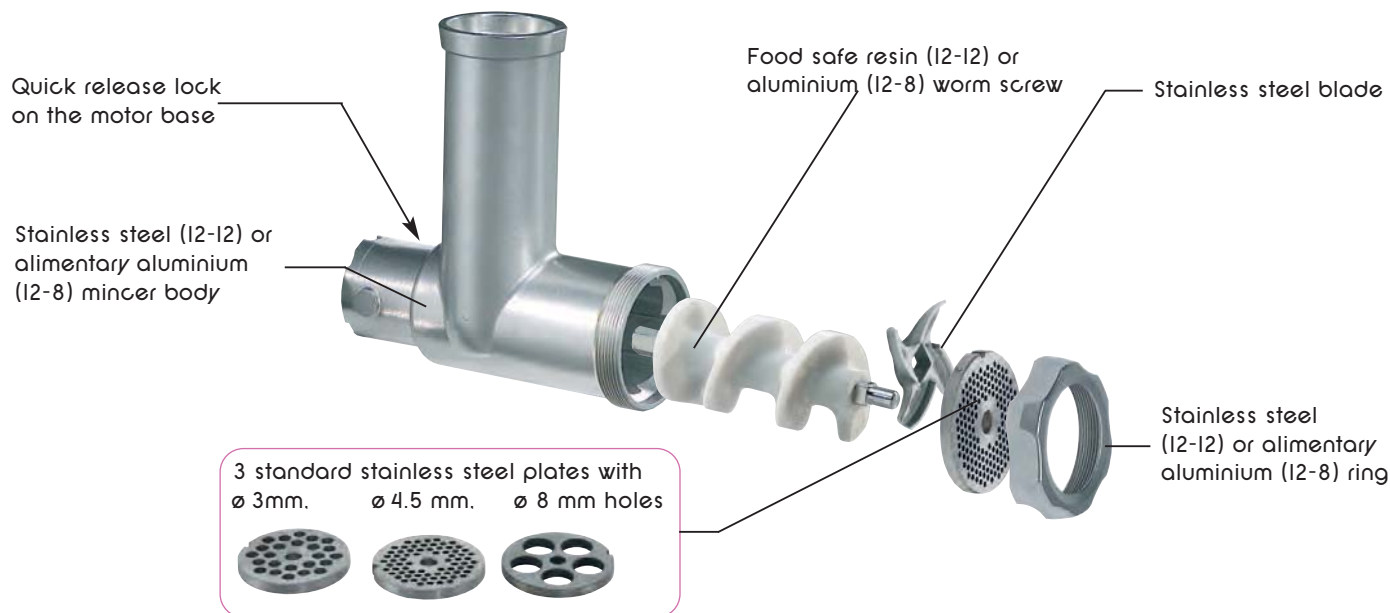
# Meat Mincer #12

Easy to assemble, dismantle and to clean



www.santos.fr

All removable parts can be put in a dishwasher.



## Technical data

### Motor

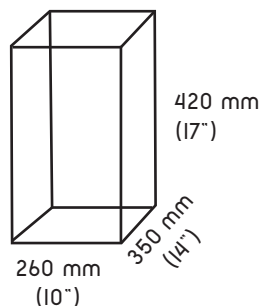
- Single phase: 100-120V - 50/60 Hz - 650 W - CE  
220-240V - 50/60 Hz - 600 W - CE
- Speed: 1500 RPM. (50 Hz)  
1800 RPM. (60 Hz)
- Blade rotation speed 140 RPM (50 Hz)  
170 RPM (60 Hz)

- Output
- 12-8: 70 kg/h
  - 12-12: 160 kg/h

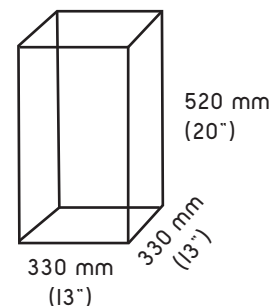
### Weight

- Net 12-8 17 Kg (37 lbs)  
12-12 19 Kg (42 lbs)
- Shipping 12-8 18 Kg (40 lbs)  
12-12 21 Kg (46 lbs)

### Appliance:



### Shipping box:



## Safety - Standards - Hygiene

In accordance with the following regulations:

- ◆ Machinery directive 2006/42/EC
- ◆ Electromagnetic compatibility 2004/108/EC
- ◆ Electrical equipment designed for use within certain voltage limits "low voltage" 2006/95/EC
- ◆ Regulation 1935/2004/EC (contact with food)

### Thermal safety

Appliance protected by overload protection.

Harmonized European standards

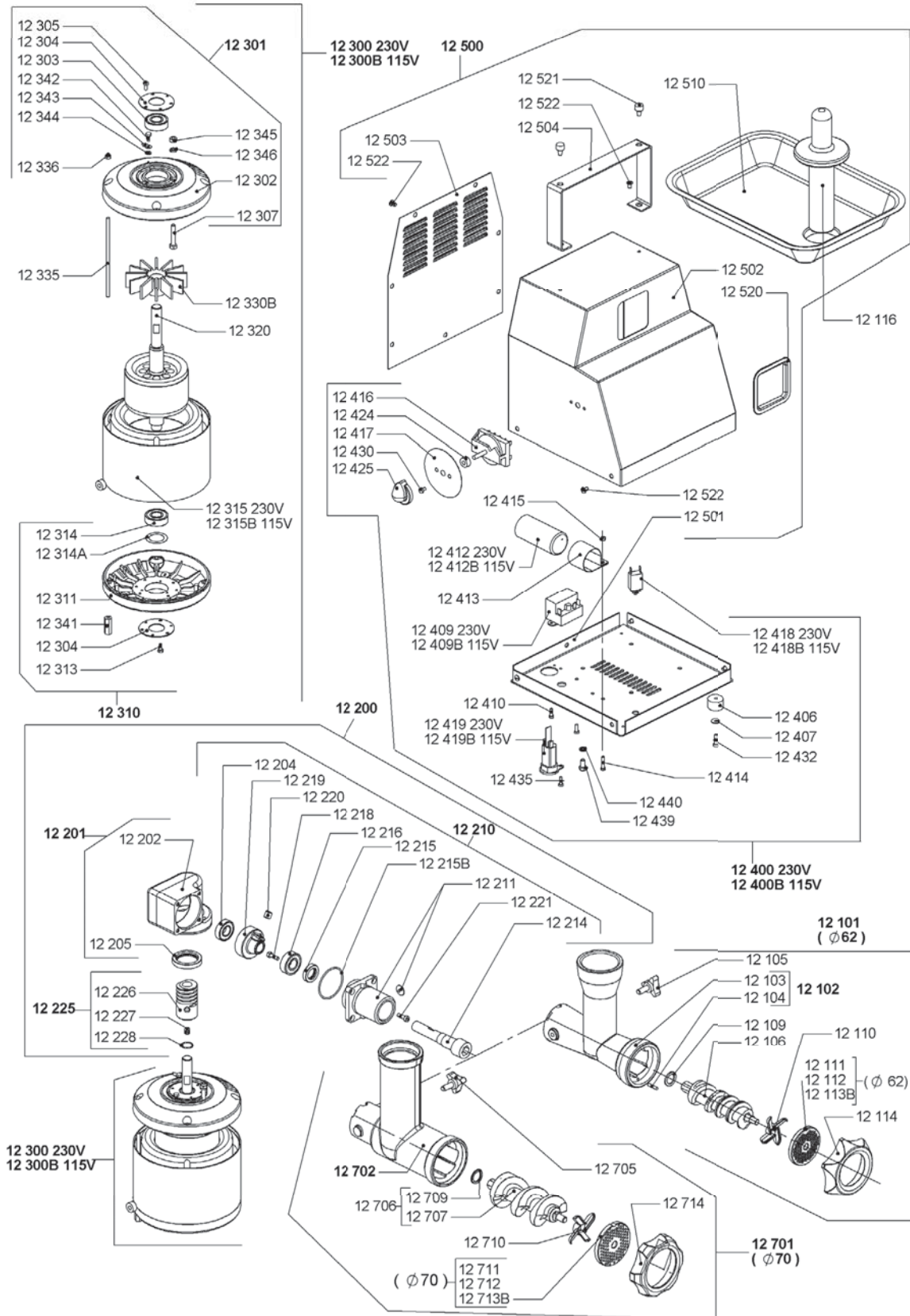
- ◆ EN ISO 12100-1 et 2: 2004 - EN 60204-1: 2006 - EN 12331+A2: 2010 meat mincer
- EN 60335-2-64 :2004 : Commercial electric kitchen machines
- ◆ CE (Europe)

### Hygiene

All removable parts can be put in a dish washer or easily cleaned with hot soapy water.

PRODUCT: 2-YEAR WARRANTY - MOTOR: 5-YEAR WARRANTY





**SANTOS**

140-150 Avenue Roger Salengro BP 80 067 – 69511 Vaulx-en-velin Cedex (Lyon) – FRANCE

Tel. +33 4 72 37 35 29 – Fax. +33 4 78 26 58 21 – Website: www.santos.fr – Email: santos@santos.fr

Follow us on #SantosAddict social networks