



PROJECT

ITEM NO: _____

QUANTITY: _____

2 Compartment Bar Sinks

FEATURES & CONSTRUCTION:

- Top is fabricated with 1" flat front edge with 2"x4" high flat top backsplash
- All exposed welded areas smooth polished to brush finish sanitary #4.
- Welded Stainless Steel leg socket for removable legs.
- All units shipped K.D. and easily assembled.

MATERIAL:

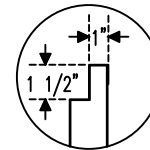
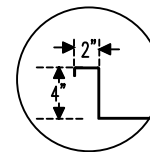
- Top & Bowls: 20 Ga. stainless steel - 304
- Apron: 20 Ga. stainless steel - 304
- Leg: 1 5/8" galvanized steel
- Crossbar: 1 1/4" galvanized steel
- Bullet Feet: 1" adjustable plastic bullet feet

ACCESSORIES:

4" center wall mount faucet and overflow kit Included



NSF Certified



MODEL#	UNIT SIZE			BOWL SIZE			DRAINBOARD	
	L	D	H	A	B	C	LEFT	RIGHT
SMBS-2	26"	18 3/4"	32"	10"	14"	10"	0	0
SMBS-2L	36"						12	0
SMBS-2R	36"						0	12
SMBS-2D	48"						13	13



SAPPHIRE MANUFACTURING
Tel: 718-543-2111
Fax: 718-543-2121

Rev. 05/17

info@sapphiremanufacturing.com
WWW.SAPPHIREMANUFACTURING.COM



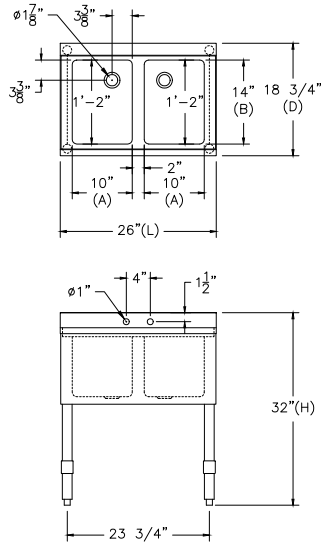
PROJECT

ITEM NO:

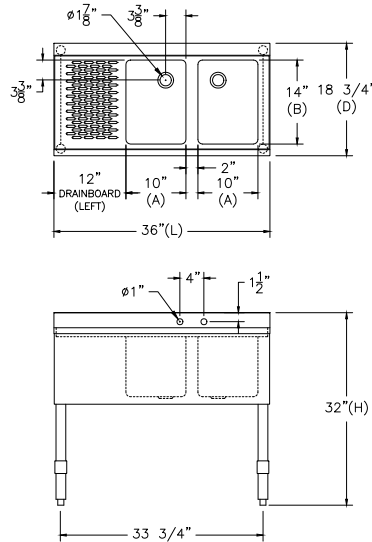
QUANTITY:

2 Compartment Bar Sinks

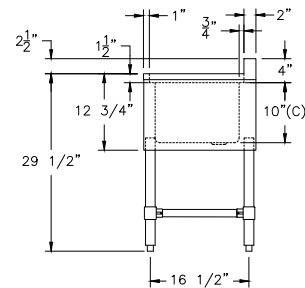
NO DRAIN BOARD SMBS-2



DRAIN BOARD: LEFT SMBS-2L

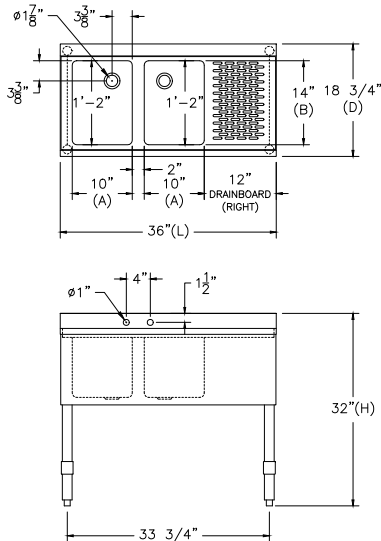


NSF Certified

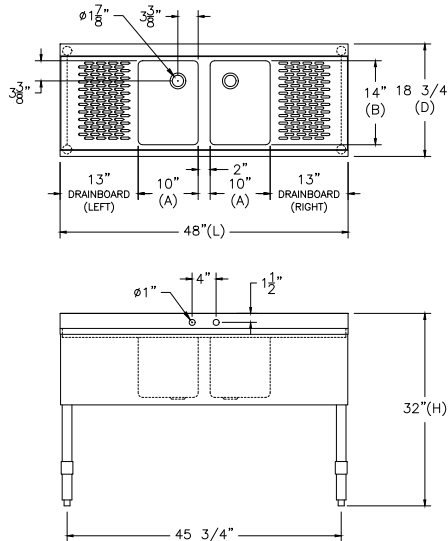


Common End View

DRAIN BOARD: RIGHT SMBS-2R



DRAIN BOARD: L & R SMBS-2D



Specifications subject to change without notice. All dimensions are typical (Tolerance 1/2").



SAPPHIRE MANUFACTURING
Tel: 718-543-2111
Fax: 718-543-2121

info@sapphiremanufacturing.com
WWW.SAPPHIREMANUFACTURING.COM

Rev. 05/17