



PROJECT \_\_\_\_\_

ITEM NO: \_\_\_\_\_

QUANTITY: \_\_\_\_\_

## Clean Dish Tables

### Straight Design

**FEATURES & CONSTRUCTION:**

- Top is fabricated with 1-1/2" rounded edge on all working sides and 10-1/2" high backsplash
- Table front edges formed with hemmed edges to provide extra rigidity and safe to touched finished.
- Reinforced table top with sound deadened hatch channels.
- All exposed welded areas smooth polished to brush finish sanitary #4.
- Adjustable cross-bar secure to leg with easily manage Aluminum die cast cross brass fitting.
- Welded stainless steel leg socket for removable table legs.
- All units shipped K.D. and easily assembled.



NSF Certified



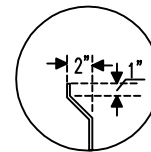
Left Side



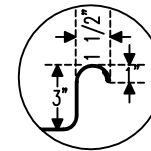
Right Side

**MATERIAL:**

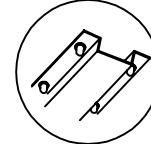
- Top: 16 Ga. Stainless Steel - 304
- Leg: 1 5/8" Stainless Steel Tubing, Stainless Steel Leg Socket, 1" Adjustable Stainless Steel Bullet Feet



45° Slanted Backsplash





Rolled Rim Edge Front And Rear Reinforced with Hemmed Edge



Hatch Channel Supported



Stainless Steel Bullet Feet 1" Adjustable

Soiled Dishtables				
L	Left Side		Right Side	
	MODEL NO.			
24"	<b>SMCDT-24L</b>		<b>SMCDT-24R</b>	
30"	<b>SMCDT-30L</b>		<b>SMCDT-30R</b>	
36"	<b>SMCDT-36L</b>		<b>SMCDT-36R</b>	
48"	<b>SMCDT-48L</b>		<b>SMCDT-48R</b>	
60"	<b>SMCDT-60L</b>		<b>SMCDT-60R</b>	
72"	<b>SMCDT-72L</b>		<b>SMCDT-72R</b>	
84"	<b>SMCDT-84L</b>		<b>SMCDT-84R</b>	
96"			<b>SMCDT-96R</b>	



SAPPHIRE MANUFACTURING  
Tel: 718-543-2111  
Fax: 718-543-2121

info@sapphiremanufacturing.com  
WWW.SAPPHIREMANUFACTURING.COM

Rev. 11/16



PROJECT

ITEM NO:

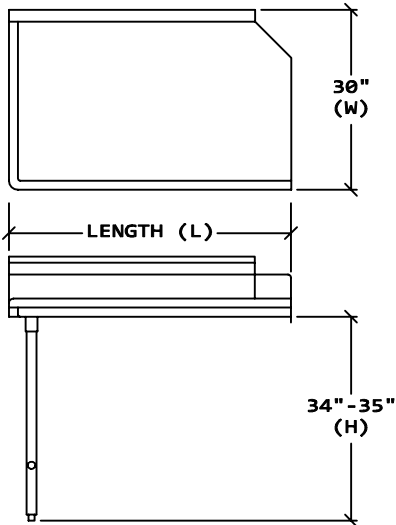
QUANTITY:

## Clean Dish Tables *Straight Design*

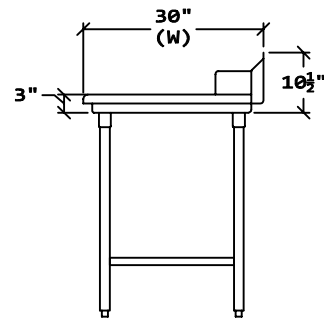
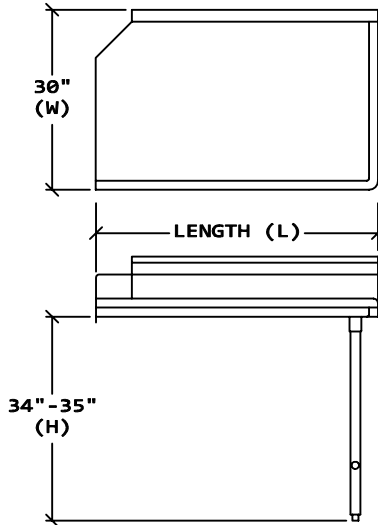


NSF Certified

**Left Side**

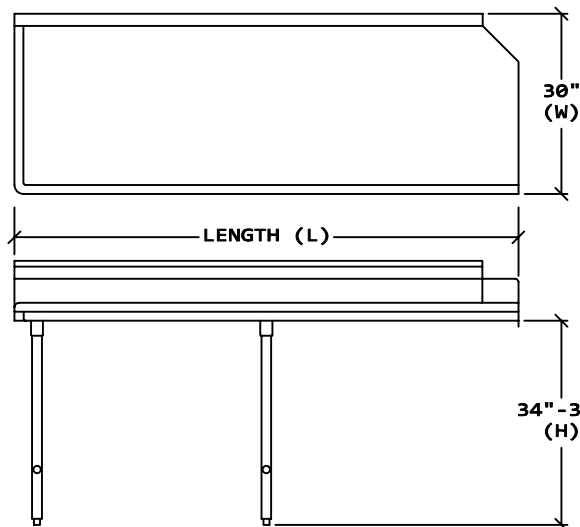


**Right Side**

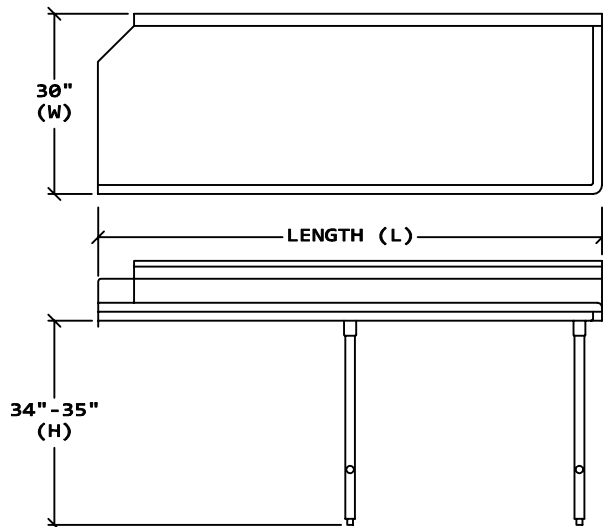


Common End View

**Left Side**



**Right Side**



\* 84" tables and longer come with 4 legs

Specifications subject to change without notice.

All dimensions are typical (Tolerance 1/2").



SAPPHIRE MANUFACTURING  
Tel: 718-543-2111  
Fax: 718-543-2121

info@sapphiremanufacturing.com  
WWW.SAPPHIREMANUFACTURING.COM

Rev. 11/16