



PROJECT \_\_\_\_\_

ITEM NO: \_\_\_\_\_

QUANTITY: \_\_\_\_\_

# Dish Cabinet With Open Front

## FEATURES & CONSTRUCTION:

- Top is fabricated with 1- 1/2" bull nose front edge , flat edges at rear and both sides.
- All exposed welded areas smooth polished to brush finish sanitary #4.
- 1-5/8" stainless steel legs with adjustable bullet feet.
- Reinforced hat channel support for top and bottom shelf, one hat channel for intermediate shelf (for series of 18", 24" and 30").
- Stainless steel pilasters allow for adjustable middle shelf.
- All units shipped K.D., but easily assembled.

## MATERIAL:

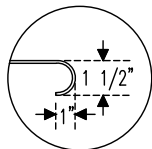
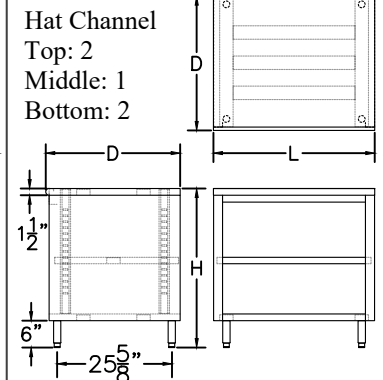
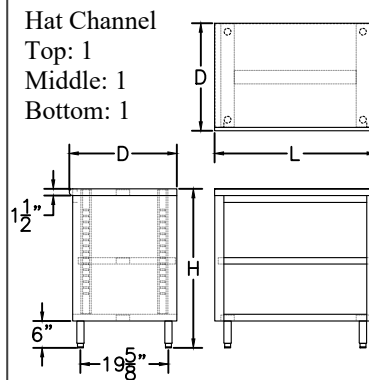
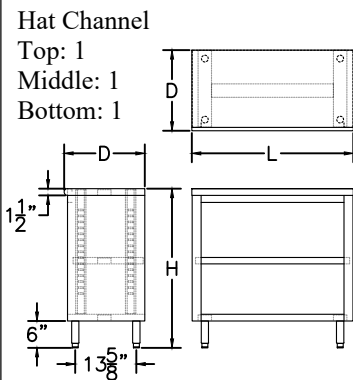
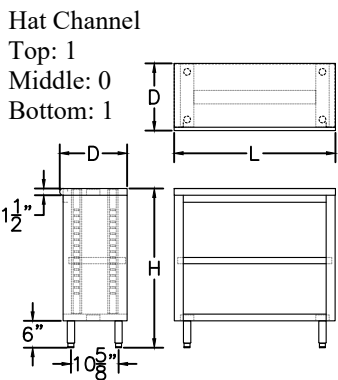
Top: 16 Ga. stainless steel - 304  
 Body: 18 Ga. stainless steel - 304  
 Shelf: 18 Ga. stainless steel - 304  
 Leg: 1-5/8" stainless steel with 2" adjustable stainless steel bullet feet

15" Series	UNIT SIZE		
MODEL#	L	D	H
SMDC-1536	36"	15"	35 1/2"
SMDC-1548	48"		
SMDC-1560	60"		
SMDC-1572	72"		

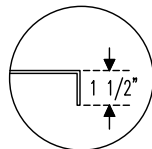
18" Series	UNIT SIZE		
MODEL#	L	D	H
SMDC-1836	36"	18"	35 1/2"
SMDC-1848	48"		
SMDC-1860	60"		
SMDC-1872	72"		

24" Series	UNIT SIZE		
MODEL#	L	D	H
SMDC-2418	18"	24"	35 1/2"
SMDC-2424	30"		
SMDC-2436	36"		
SMDC-2448	48"		
SMDC-2460	60"		
SMDC-2472	72"		

30" Series	UNIT SIZE		
MODEL#	L	D	H
SMDC-3018	18"	30"	35 1/2"
SMDC-3030	30"		
SMDC-3036	36"		
SMDC-3048	48"		
SMDC-3060	60"		
SMDC-3072	72"		
SMDC-3096	96"		



Bull Nose Edge Front



Flat Edge At Rear And Both Sides



S/S. Pilasters for Adj. Middle Shelf



S/S. Bullet Feet 2" Adjustable



NSF STD.2 Certified

Specifications subject to change without notice.

All dimensions are typical (Tolerance 1/2").



Rev. 11/22

SAPPHIRE MANUFACTURING  
 Tel: 718-543-2111  
 Fax: 718-543-2121

info@sapphiremanufacturing.com  
 WWW.SAPPHIREMANUFACTURING.COM