



PROJECT

ITEM NO: \_\_\_\_\_

QUANTITY: \_\_\_\_\_

## Under-bar Mixology Station

### FEATURES & CONSTRUCTION:

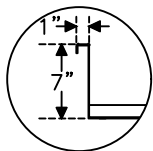
- Sink bowl has coved corners with 3/4" radius.
- Top is fabricated with 2" flat front edge, flat edge on both ends and 1-1/4" flat top with 7" backsplash.
- All exposed welded areas smooth polished to brush finish sanitary #4.
- (4) Stainless steel legs with 1" adjustable bullet feet.
- Welded Stainless steel leg sockets with two point leg fastening.
- "U" shape Adjustable Stainless steel cross-bars with aluminum die cast fittings to secure cross-bars to legs for added stability.
- Glass rinser with removable drainboard.
- 1-1/2" IPS drain included.
- FW-4-6LL low lead faucet included, 4" Wall mounted with 6" spout.
- Dipperwell with faucet and 1-1/2" drain available for Model SMMS-2418 only.
- Carton box packing.
- All units shipped K.D., but easily assembled.

### MATERIAL:

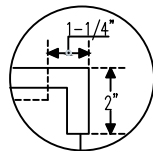
Top & Sink Bowl: 18 Ga. Stainless Steel - 304  
 Apron 20 Ga. Stainless Steel - 304  
 Two Sides: 20 Ga. Stainless Steel - 304  
 Leg: 1-5/8" Stainless Steel Tubing  
 Cross-bar: 1-1/4" Stainless Steel Tubing  
 Leg Socket: Stainless Steel  
 Bullet Feet: Stainless (1" Adjustable)



MODEL#	UNIT SIZE		
	L	D	H
SMMS-1912	12"	19"	30"
SMMS-2412	12"	24"	
SMMS-2418	18"		



1"x7" high Backsplash



Square Edge Front



Aluminum Die Cast Fitting For Adj. Cross-Bar



1" Adjustable Stainless Steel Bullet Feet



NSF STD.2 Certified

Specifications subject to change without notice.

All dimensions are typical (Tolerance 1/2").



Rev. 05/23

**SAPPHIRE MANUFACTURING**  
 Tel: 718-543-2111  
 Fax: 718-543-2121

[info@sapphiremanufacturing.com](mailto:info@sapphiremanufacturing.com)  
[WWW.SAPPHIREMANUFACTURING.COM](http://WWW.SAPPHIREMANUFACTURING.COM)

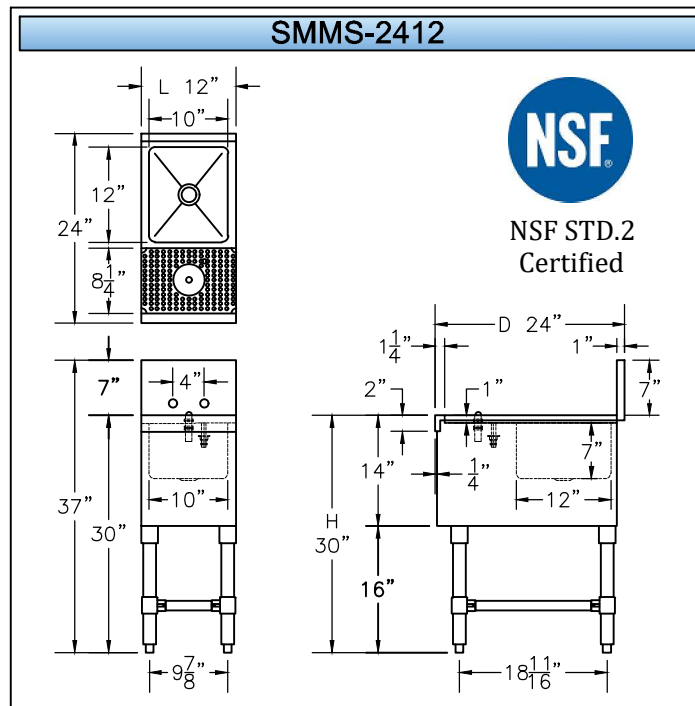
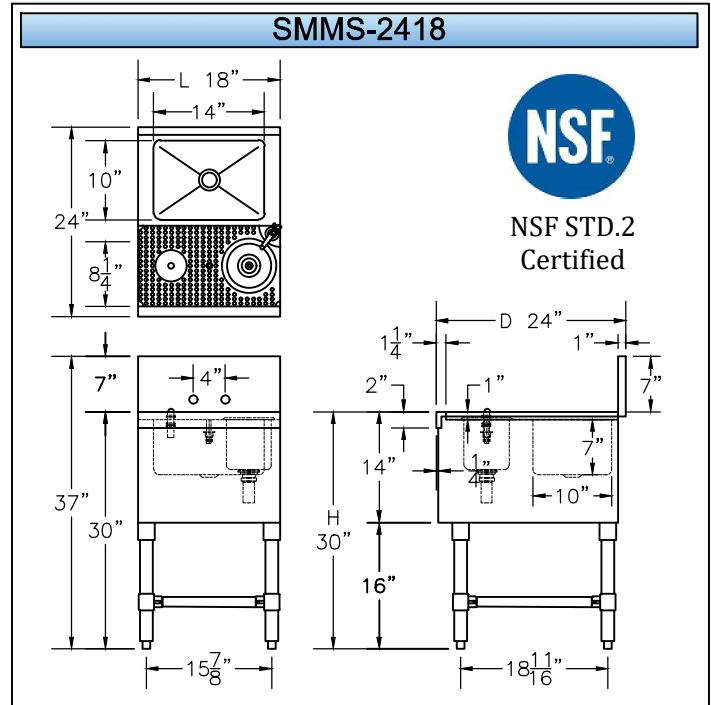
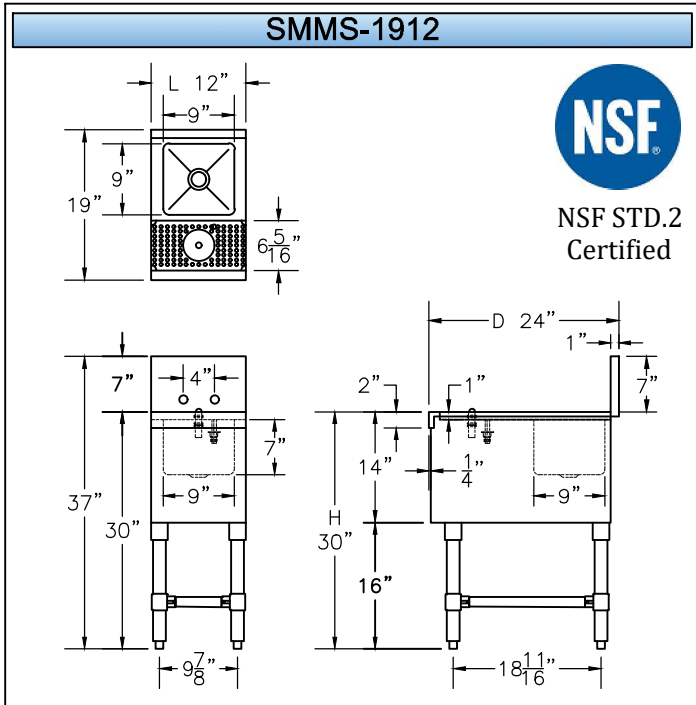


PROJECT \_\_\_\_\_

ITEM NO: \_\_\_\_\_

QUANTITY: \_\_\_\_\_

## Under-bar Mixology Station



Specifications subject to change without notice.

All dimensions are typical (Tolerance 1/2").



Rev. 05/23

SAPPHIRE MANUFACTURING  
Tel: 718-543-2111  
Fax: 718-543-2121

info@sapphiremanufacturing.com  
WWW.SAPPHIREMANUFACTURING.COM