



PROJECT \_\_\_\_\_

ITEM NO: \_\_\_\_\_

QUANTITY: \_\_\_\_\_

# Stainless Steel Work Tables

## With Undershelf And Backsplash



NSF Certified

### FEATURES & CONSTRUCTION:

- Top is fabricated with 1-1/2" rounded front edge, flat edge on both ends and 45° slanted backsplash.
- Table front edge formed with hemmed edges to provide extra rigidity and safe to touched finished.
- Reinforced table top with sound deadened hatch channels.
- Adjustable undershelf secure to leg aluminum die cast clamp.
- All exposed welded areas smooth polished to brush finish sanitary #4.
- Welded leg socket for removable table legs.
- All tables shipped K.D. and easily assembled.

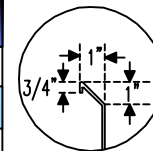


### Galvanized Steel Undershelf Series

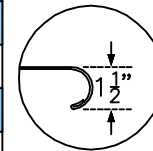
W	24"	30"
L	MODEL NO.	
24"	<b>SMTB-2424G</b>	
30"	<b>SMTB-2430G</b>	<b>SMTB-3030G</b>
36"	<b>SMTB-2436G</b>	<b>SMTB-3036G</b>
48"	<b>SMTB-2448G</b>	<b>SMTB-3048G</b>
60"	<b>SMTB-2460G</b>	<b>SMTB-3060G</b>
72"	<b>SMTB-2472G</b>	<b>SMTB-3072G</b>
84"	<b>SMTB-2484G</b>	<b>SMTB-3084G</b>
96"	<b>SMTB-2496G</b>	<b>SMTB-3096G</b>
108"	<b>SMTB-24108G</b>	<b>SMTB-30108G</b>
120"	<b>SMTB-24120G</b>	<b>SMTB-30120G</b>

### Stainless Steel Undershelf Series

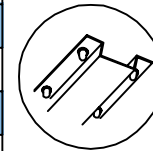
W	24"	30"
L	MODEL NO.	
24"	<b>SMTB-2424S</b>	
30"	<b>SMTB-2430S</b>	<b>SMTB-3030S</b>
36"	<b>SMTB-2436S</b>	<b>SMTB-3036S</b>
48"	<b>SMTB-2448S</b>	<b>SMTB-3048S</b>
60"	<b>SMTB-2460S</b>	<b>SMTB-3060S</b>
72"	<b>SMTB-2472S</b>	<b>SMTB-3072S</b>
84"	<b>SMTB-2484S</b>	<b>SMTB-3084S</b>
96"	<b>SMTB-2496S</b>	<b>SMTB-3096S</b>
108"	<b>SMTB-24108S</b>	<b>SMTB-30108S</b>
120"	<b>SMTB-24120S</b>	<b>SMTB-30120S</b>



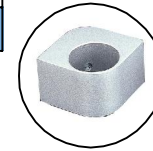
45° Slanted Backsplash



Rolled Rim Edge Front And Rear Reinforced with Hemmed Edge



Hatch Channel Supported



Aluminum Die Cast Clamp For Adjustable Under Shelf



1" Adjustable Bullet Feet

### MATERIAL:

Top: 18 Ga. Stainless Steel - 400 series  
 Shelf: 18 Ga. Galvanized Steel  
 Leg: 1 5/8" Galvanized Steel Tubing,  
 Galvanized Steel Leg Socket  
 1" Adjustable Plastic Bullet Feet.

### MATERIAL:

Top: 18 Ga. Stainless Steel - 400 series  
 Shelf: 18 Ga. Stainless Steel - 400 series  
 Leg: 1 5/8" Stainless Steel Tubing,  
 Stainless Steel Leg Socket  
 1" Adjustable Stainless Steel  
 Bullet Feet.



SAPPHIRE MANUFACTURING  
 Tel: 718-543-2111  
 Fax: 718-543-2121

info@sapphiremanufacturing.com  
 WWW.SAPPHIREMANUFACTURING.COM

Rev. 11/16



PROJECT

ITEM NO:

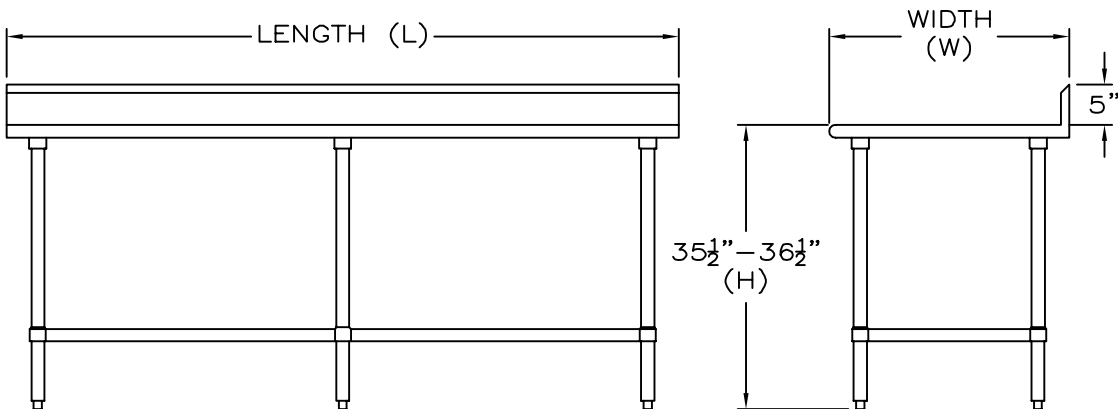
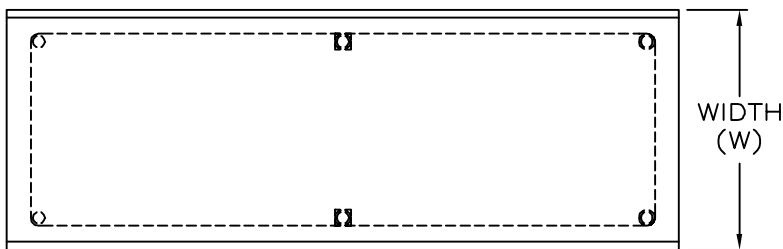
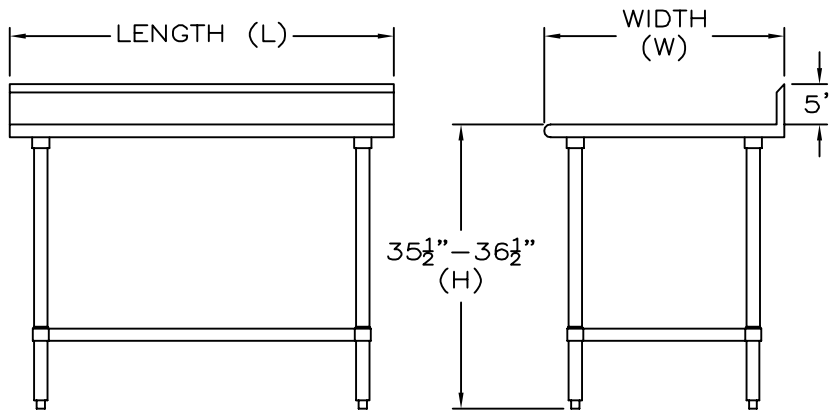
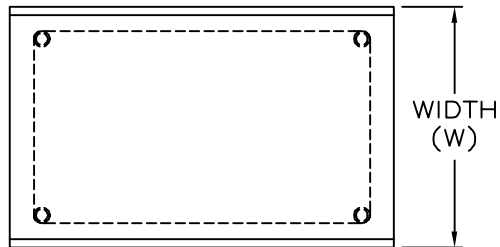
QUANTITY:

# Stainless Steel Work Tables

*With Undershef And Backsplash*



NSF Certified



Specifications subject to change without notice. All dimensions are typical (Tolerance 1/2").



SAPPHIRE MANUFACTURING  
Tel: 718-543-2111  
Fax: 718-543-2121

info@sapphiremanufacturing.com  
WWW.SAPPHIREMANUFACTURING.COM

Rev. 11/16