



PROJECT _____

ITEM NO: _____

QUANTITY: _____

Stainless Steel Work Tables

Open Base With Stainless Steel Cross-Bar



NSF Certified

FEATURES & CONSTRUCTION:

- Top is fabricated with 1-1/2" rounded edge on both working sides and flat edge on both ends.
- Table top edges formed with hemmed edges to provide extra rigidity and safe to touched finished.
- Reinforced table top with sound deadened hatch channels.
- All exposed welded areas smooth polished to brush finish sanitary #4.
- Adjustable cross-bar secure to leg with aluminum die cast cross brass fitting.
- Welded leg socket for removable table legs.
- All tables shipped K.D. and easily assembled.



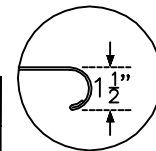
* 84" tables and longer come with 6 legs

MATERIAL:

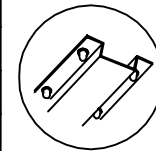
Top: 18 Gauge Stainless Steel - 400 series
 Cross-bar 1 1/4" Stainless Steel Tubing
 Leg: 1 5/8" Stainless Steel Tubing, Stainless Steel Leg Socket, 1" Adjustable Stainless Steel Bullet Feet.

Open Base Table With Stainless Steel Cross-bar

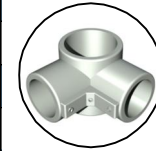
W	14"	18"	24"	30"	36"
L	MODEL NO.				
24"	SMT0-1424S	SMT0-1824S	SMT0-2424S	SMT0-3024S	SMT0-3624S
30"	SMT0-1430S	SMT0-1830S	SMT0-2430S	SMT0-3030S	SMT0-3630S
36"	SMT0-1436S	SMT0-1836S	SMT0-2436S	SMT0-3036S	SMT0-3636S
48"	SMT0-1448S	SMT0-1848S	SMT0-2448S	SMT0-3048S	SMT0-3648S
60"	SMT0-1460S	SMT0-1860S	SMT0-2460S	SMT0-3060S	SMT0-3660S
72"	SMT0-1472S	SMT0-1872S	SMT0-2472S	SMT0-3072S	SMT0-3672S
84"	SMT0-1484S	SMT0-1884S	SMT0-2484S	SMT0-3084S	SMT0-3684S
96"	SMT0-1496S	SMT0-1896S	SMT0-2496S	SMT0-3096S	SMT0-3696S
108"	SMT0-14108S	SMT0-18108S	SMT0-24108S	SMT0-30108S	SMT0-36108S
120"	SMT0-14120S	SMT0-18120S	SMT0-24120S	SMT0-30120S	SMT0-36120S



Rolled Rim Edge Front And Rear Reinforced with Hemmed Edge



Hatch Channel Supported



Aluminum Die Cast Fitting For Adjustable Cross Bar



Stainless Steel Bullet Feet 1" Adjustable



SAPPHIRE MANUFACTURING
 Tel: 718-543-2111
 Fax: 718-543-2121

info@sapphiremanufacturing.com
 WWW.SAPPHIREMANUFACTURING.COM

Rev. 11/16



PROJECT

ITEM NO:

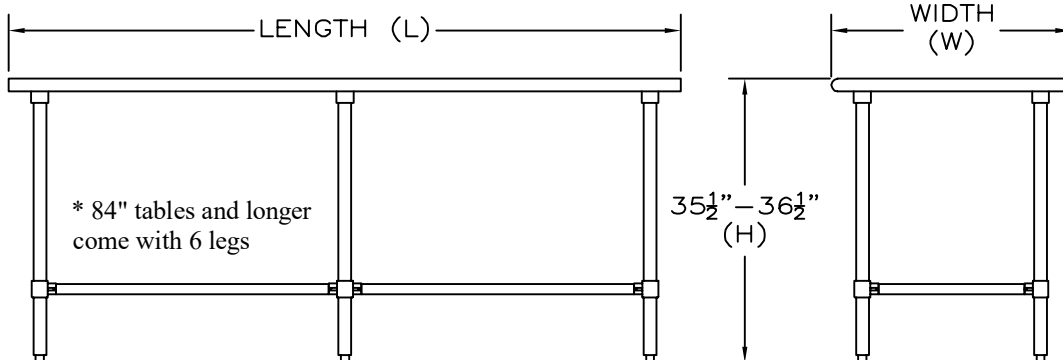
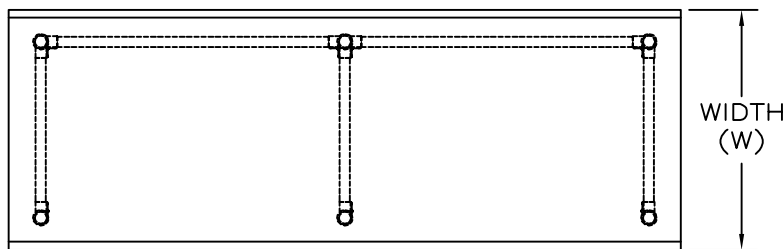
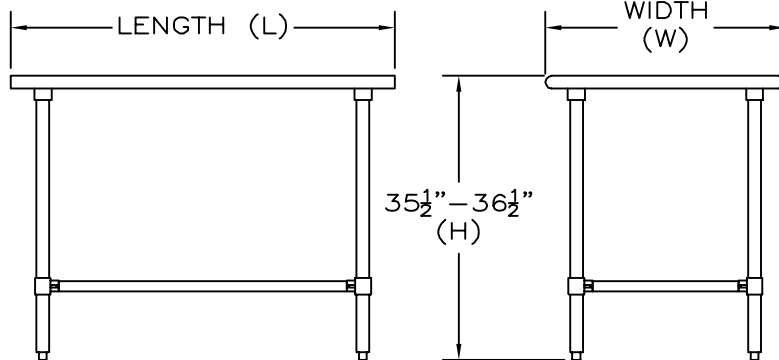
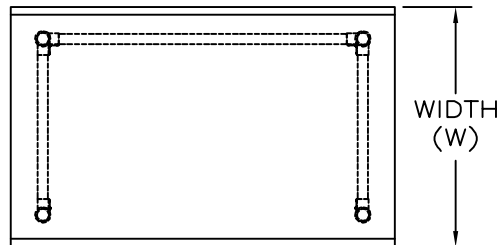
QUANTITY:

Stainless Steel Work Tables

Open Base With Stainless Steel Cross-Bar



NSF Certified



Specifications subject to change without notice. All dimensions are typical (Tolerance 1/2").



SAPPHIRE MANUFACTURING
Tel: 718-543-2111
Fax: 718-543-2121

info@sapphiremanufacturing.com
WWW.SAPPHIREMANUFACTURING.COM

Rev. 11/16