



PROJECT

ITEM NO:

QUANTITY:

## Wall Shelves

### FEATURES & CONSTRUCTION:

- Rolled rim front edge.
- 1 1/2" high back splash.
- All exposed welded areas smooth polished to brush finish sanitary #4.
- Removable wall mounting bracket included.
- All units shipped K.D. and easily assembled.

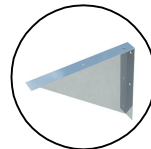
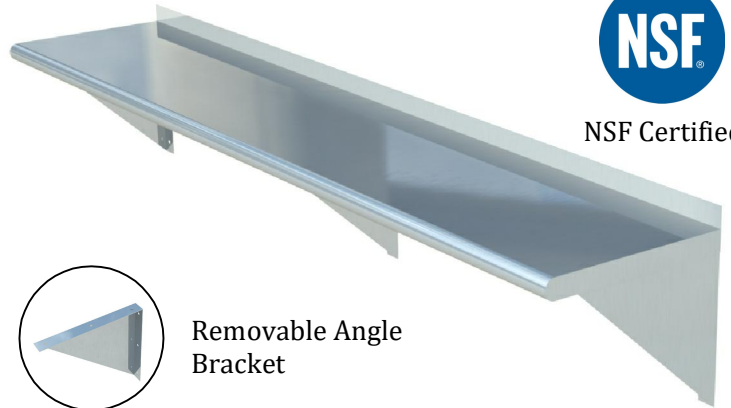
### MATERIAL:

18 Ga. Stainless Steel - 400 Series

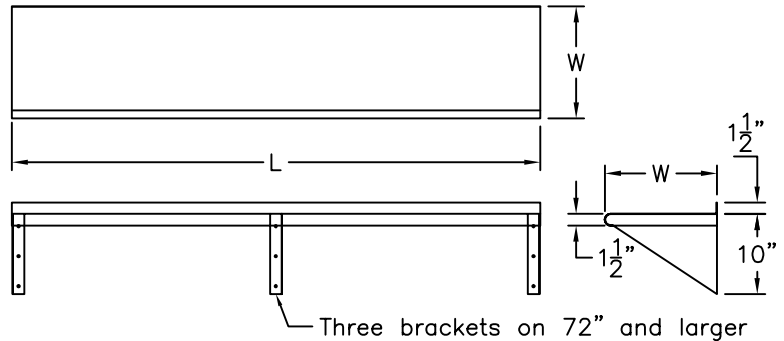
W	12"	14"	18"
L	MODEL#		
24"	SMWS-1224	SMWS-1424	SMWS-1824
30"	SMWS-1230	SMWS-1430	SMWS-1830
36"	SMWS-1236	SMWS-1436	SMWS-1836
48"	SMWS-1248	SMWS-1448	SMWS-1848
60"	SMWS-1260	SMWS-1460	SMWS-1860
72"	SMWS-1272	SMWS-1472	SMWS-1872
84"	SMWS-1284	SMWS-1484	SMWS-1884
96"	SMWS-1296	SMWS-1496	SMWS-1896
108"	SMWS-12108	SMWS-14108	SMWS-18108
120"	SMWS-12120	SMWS-14120	SMWS-18120



NSF Certified



Removable Angle Bracket



## Wall Mounted Microwave Shelves

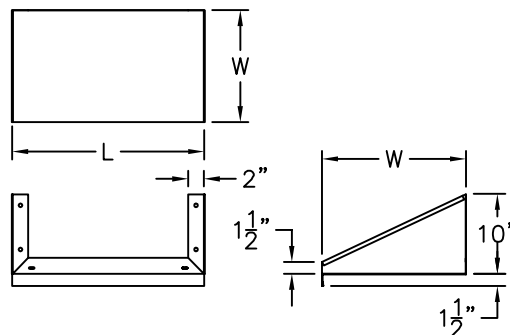
### FEATURES & CONSTRUCTION:

- Re-inforced with hem edge for support bracket.
- All exposed welded areas smooth polished to brush finish sanitary #4.
- Holes pre drilled for wall mounting.

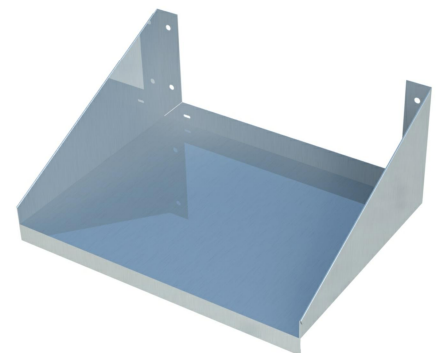
### MATERIAL:

18 Ga. Stainless Steel - 400 Series

MODEL#	SIZE	
	W	L
SMMW-18	18"	24"
SMMW-24	24"	24"



NSF Certified



Specifications subject to change without notice.

All dimensions are typical (Tolerance 1/2").



SAPPHIRE MANUFACTURING  
Tel: 718-543-2111  
Fax: 718-543-2121

info@sapphiremanufacturing.com  
WWW.SAPPHIREMANUFACTURING.COM

Rev. 11/16