



PROJECT NAME: \_\_\_\_\_

LOCATION: \_\_\_\_\_

ITEM: \_\_\_\_\_ QTY: \_\_\_\_\_

MODEL: \_\_\_\_\_



MODEL SRMG-24  
(Pictured above)

## SRMG-12 | SRMG-15 | SRMG-24 SRMG-36 | SRMG-48 | SRMG-60 COUNTERTOP MANUAL GAS GRIDDLE SRMG SERIES

Sierra series countertop manual gas griddle was developed to provide the best cooking experience, combining high standard of quality, performance and durability to satisfy all professional kitchens demands.



## STANDARD FEATURES

- Available in 12" (305 mm), 15" (380 mm), 24" (610 mm), 36" (915 mm), 48" (1,220 mm) and 60" (1,525 mm) width.
- Stainless steel front and sides.
- 3" Splash guards.
- 3/4" (19.05 mm) thick polished carbon steel working griddle plate.
- Fully welded griddle plate.
- Enameled burners placed every 12", providing uniformity when operating.
- Accessible pilots through front panel.
- Orange paint injected aluminum knobs providing for better toughness and durability.
- 4" adjustable chromed carbon steel legs.
- Units are shipped ready for natural gas (NG). A propane gas (LP) conversion kit and NG/LP regulator is supplied with the unit.
- Easily removable stainless steel griddle grease trap.

### GRIDDLE GREASE TRAY CAPACITY

COLLECTING GREASE TRAY CAPACITY	MODEL					
	SRMG-12	SRMG-15	SRMG-24	SRMG-36	SRMG-48	SRMG-60
	0.52 gal (2 L)	0.76 gal (2.9 L)	1.05 gal (4.6 L)	2.43 gal (9.2 L)	2.64 gal (10 L)	2.46 gal (9.4 L)

## ACCESSORIES/OPTIONAL

- Pressure regulator
- Propane gas (LP)/natural gas (NG) conversion kits.

SRMG05172022

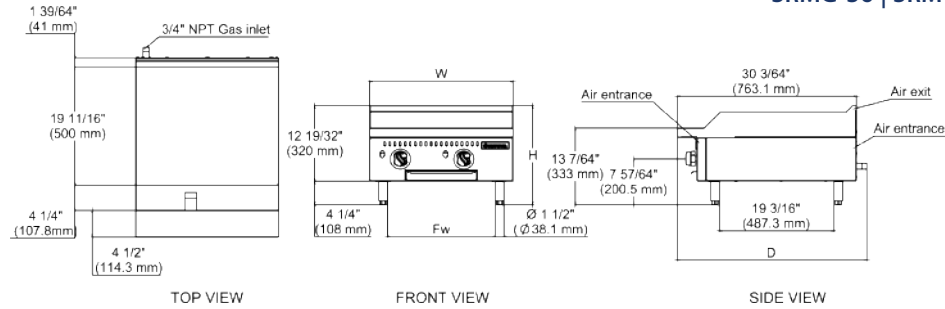


3560 NW 56th Street  
Fort Lauderdale, FL 33309  
Tel.: 786.600.4687 / Toll Free: 844.218.8477  
Fax.: 786.661.4100



5659 Royalmount Avenue  
Montreal, Qc, Canada H4P 2P9  
Tel.: 514.737.9701 / Toll Free: 888.275.4538  
Fax.: 514.342.3854 / Toll Free: 877.453.8832

[sales@mvpgroupcorp.com](mailto:sales@mvpgroupcorp.com)



## SPECIFICATIONS

Models	Exterior Product Dimensions & Weight					Shipping Crate Dimensions & Weight			
	Width (W)	Depth (D)	Height (H)	Fw	Weight	Width	Depth	Height	Weight
SRMG-12	12" (305 mm)	32" (812.8 mm)	16 27/32" (428 mm)	9 5/64" (230.5 mm)	108 lb (49 kg)	18 29/32" (480 mm)	34 1/4" (870 mm)	19 19/64" (490 mm)	132 lb (60 kg)
SRMG-15	15" (375 mm)	32" (812.8 mm)	16 27/32" (428 mm)	9 5/64" (230.5 mm)	117 lb (53 kg)	18 29/32" (480 mm)	34 1/4" (870 mm)	19 19/64" (490 mm)	139 lb (63 kg)
SRMG-24	24" (610 mm)	32" (812.8 mm)	16 27/32" (428 mm)	18 3/32" (459.5 mm)	163 lb (74 kg)	27 61/64" (710 mm)	34 1/4" (870 mm)	19 19/64" (490 mm)	194 lb (88 kg)
SRMG-36	36" (915 mm)	32" (812.8 mm)	16 27/32" (428 mm)	31 9/32" (794.5 mm)	227 lb (103 kg)	40 5/32" (1020 mm)	34 1/4" (870 mm)	19 19/64" (490 mm)	273 lb (124 kg)
SRMG-48	48" (1220 mm)	32" (812.8 mm)	16 27/32" (428 mm)	43 9/32" (1099.5 mm)	315 lb (143 kg)	52 31/32" (1320 mm)	34 1/4" (870 mm)	19 19/64" (490 mm)	353 lb (160 kg)
SRMG-60	60" (1525 mm)	32" (812.8 mm)	16 27/32" (428 mm)	26 5/16" (2x668.3 mm)	360 lb (163 kg)	64 1/16" (1630 mm)	34 1/4" (870 mm)	19 19/64" (490 mm)	430 lb (195 kg)

## UTILITY INFORMATION

Models	Burners	GAS SUPPLY			
		Propane	Natural	Manifold Pressure	
		BTU/h	BTU/h	Natural Gas	Propane Gas
SRMG-12	1	30,000	30,000	4" W.C	10" W.C
SRMG-15	1	30,000	30,000		
SRMG-24	2	60,000	60,000		
SRMG-36	3	90,000	90,000		
SRMG-48	4	120,000	120,000		
SRMG-60	5	150,000	150,000		

- 30,000 BTU/h burners placed every 12", providing best performance.
- Manifold pressure is 4" W.C (natural gas) or 10" W.C (propane gas).
- 3/4" NPT rear gas connection and pressure regulator for both natural gas and propane.
- Check the altitude specifications above 2,000 ft.

\* NOTE: In line with its policy to continually improve its product, Sierra Range reserves the right to change materials and specifications without notice.

## INSTALLATION INSTRUCTIONS

A pressure regulator sized for this unit is included. The gas line connecting to the range must be 3/4" or larger. If flexible connectors are used, the inside diameter must be 3/4" or larger. An adequate ventilation system is required for commercial cooking equipment. Information may be obtained by writing to the National Fire Protection Association, 1 Batterymarch Park, Quincy, MA 02269, www.NFPA.org. When writing, refer to NFPA No. 96.4. These units are manufactured for installation in accordance with ANSZ223.1A (latest edition), National Fuel Gas Code.

Copies may be obtained from The American Gas Association, 400 N Capitol St. NW, Washington, DC 20001, www.AGA.org.

**Warranty:** 12 months parts & labor. See Sierra Range Price List for full details.

**Gas Connection:** 3/4" NPT on the right hand rear of the appliance. The pressure regulator (supplied) is to be connected here by the installer.

**Gas pressure:** 4" W.C. - Natural Gas | 10" W.C. - Propane.

**Combustible Clearances:** For use in non-combustible locations | Non-combustible Clearances: 0 inches sides, 0 inches rear Specify type of gas and altitude, if over 2,000 feet, when ordering.

**SIERRA RANGE** is a registered trademark of **MVP Group**.

Due to continuing product development, to ensure best possible performance, the specifications are subject to change without prior notice.